

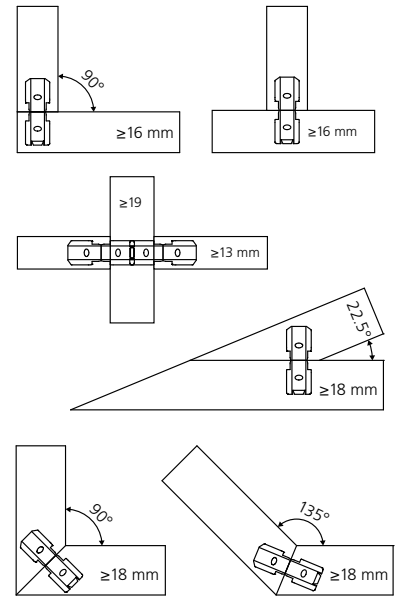


Tips tricks

Glueing large workpieces



Flexibility in terms of angles



Glueing large workpieces with the Tenso preload clip **with lower assembly force**

How it works:



1. Mill a P-System groove



2. Inserting in the Tenso P-14



3. Insert preload clip into installation tool



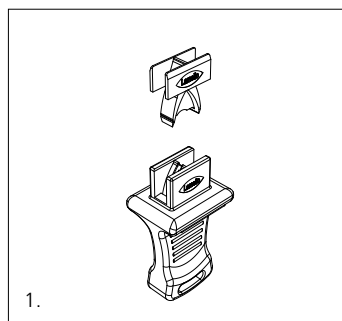
4. Preload the Tenso P-14



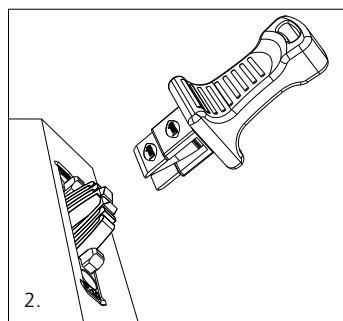
5. Apply glue



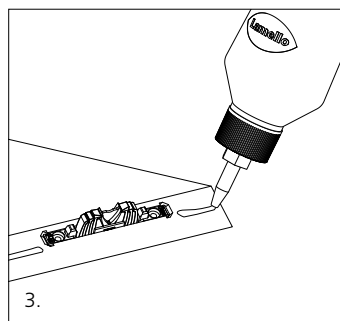
6. Assemble the workpieces



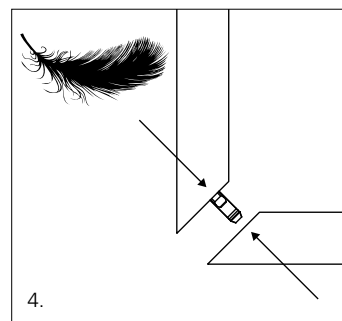
1. Insert preload clip into installation tool



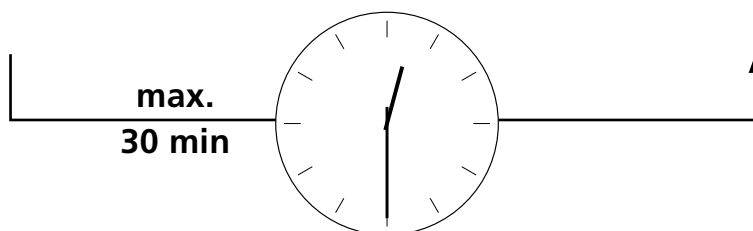
2. Preload the Tenso P-14



3. Apply glue



4. Assemble Work pieces



Tenso P-14 with preload function

Self-clamping fitting as glueing aid, for all angles



Tenso P-14 with preload function	Art.No.
Carton with 80 pairs (without preload clip).....	145415
Carton with 300 pairs (without preload clip).....	145425
Carton with 1000 pairs (without preload clip).....	145435

Tenso P-14 Starter-Set	Art.No.
Carton with 80 pairs (with preload clip).....	145415S
Carton with 80 pairs (with preload clip).....	145425S

Preload clip	Art.No.
Carton with 300 pieces.....	145426
Carton with 1000 pieces.....	145436



Aligning element suitable Bisco P-14

Bisco P-14 is ideal for dry-assembly before glueing a joint with Tenso P-14



Bisco P-14

Pieces	Art. No.
80	145301
300	145302
1000	145303



Manufacturer:
Lamello AG
Joining technology
 Hauptstrasse 149
 CH-4416 Bubendorf
 Tel. +41 61 935 36 36
 Fax +41 61 935 36 06
 info@lamello.com
 www.lamello.com