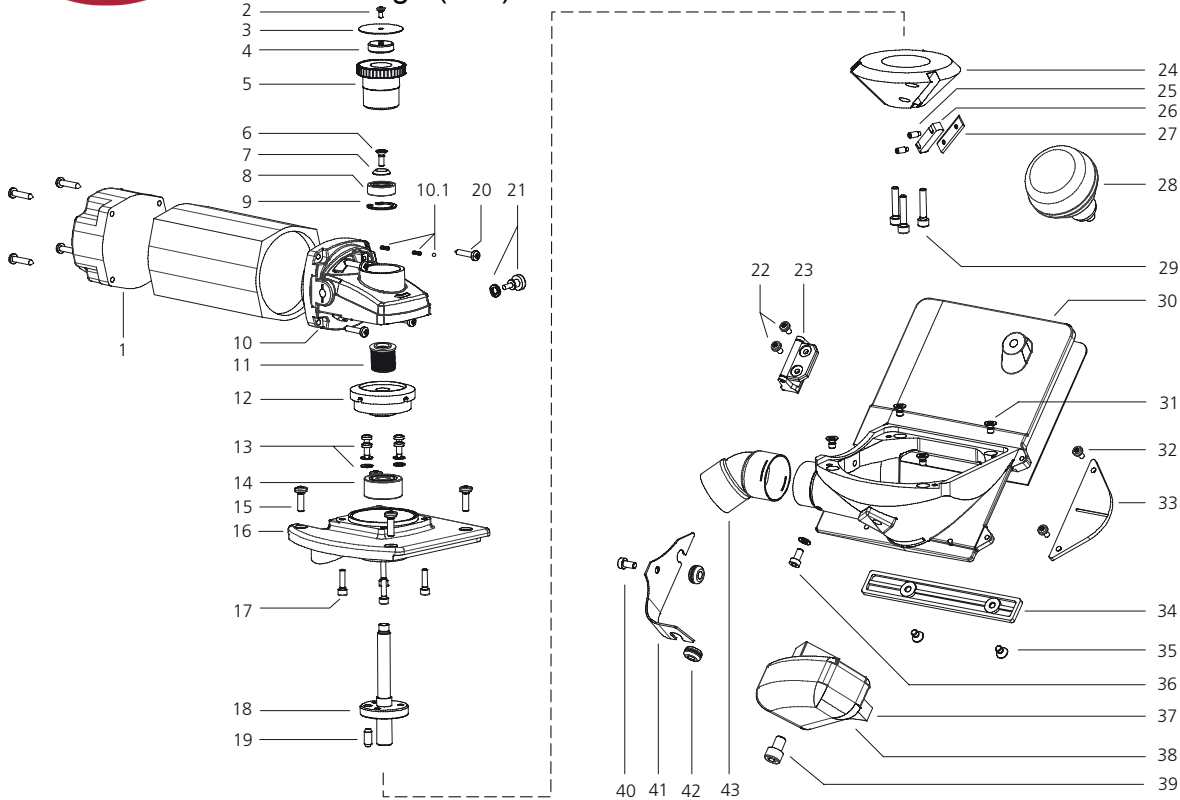




Flush milling machines

Cantex Ergo (L63)

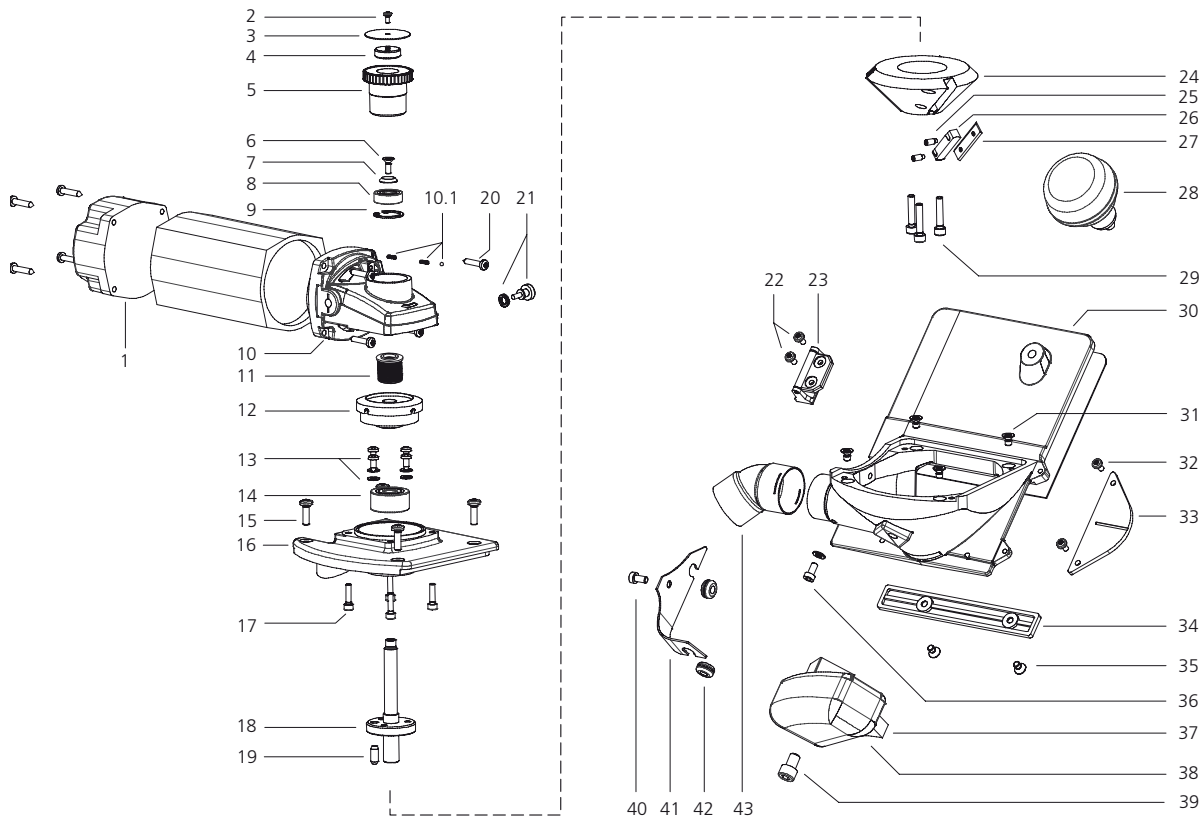


Pos.	Description	Art. No.
1–21	Electric motor L63, 230 V, CH	306306CH
	Electric motor L63, 230 V, D	306306D
	Electric motor L63, 120 V, US	306306US
	Electric motor L63, 230 V, GB	306306GB
	Electric motor L63, 230 V, AUS	306306A
1	Motorcap with screwed cable gland (angle), CH	316301CH
	Motorcap with screwed cable gland (angle), D	316301D
	Motorcap with screwed cable gland (angle), US	316301US
2, 4	Threaded insert, hex key screw M 3x6	314214
3	Height scala	321830
5	Set screw	314213
6, 7	Supporting foot Plano 45/Cantex	251859
8	Groove ball bearing 608 ZZ	313215
9	Safety ring	351044
10, 21	Gear box case with spindle lock	316202
11	Disk spring with spacing disk	314042
12	Ring gear, pin and pinion	316031
13	Filister-head screw M 4 x 8	352407
14	Groove ball bearing 6000 Z	313230
15	Filister-head screw M 5x16	251857
13, 14, 16, 17	Guide plate, complete	251858
17	Screw M4 x 16 mm	352418
18, 19	Milling spindle, complete	316033
22, 23	Supporting foot Plano 45/Cantex	251851
24–27	Knife-head, complete (red)	131825
	silver colored	for cutter head
25	Screwed pin M5 x 12, for clamping wedge	357511
26	Clamping wedge for knife-head Z 3	321823
27	Reversing blades set of 3 items	131822
	red	for cutter head
25	Screwed pin M6 x 10, for clamping wedge	357611
26	Clamping wedge for knife-head Z 3	321827
27	Reversing blades set of 3 items	131822

to be continued



Flush milling machines Cantex Ergo (L63)

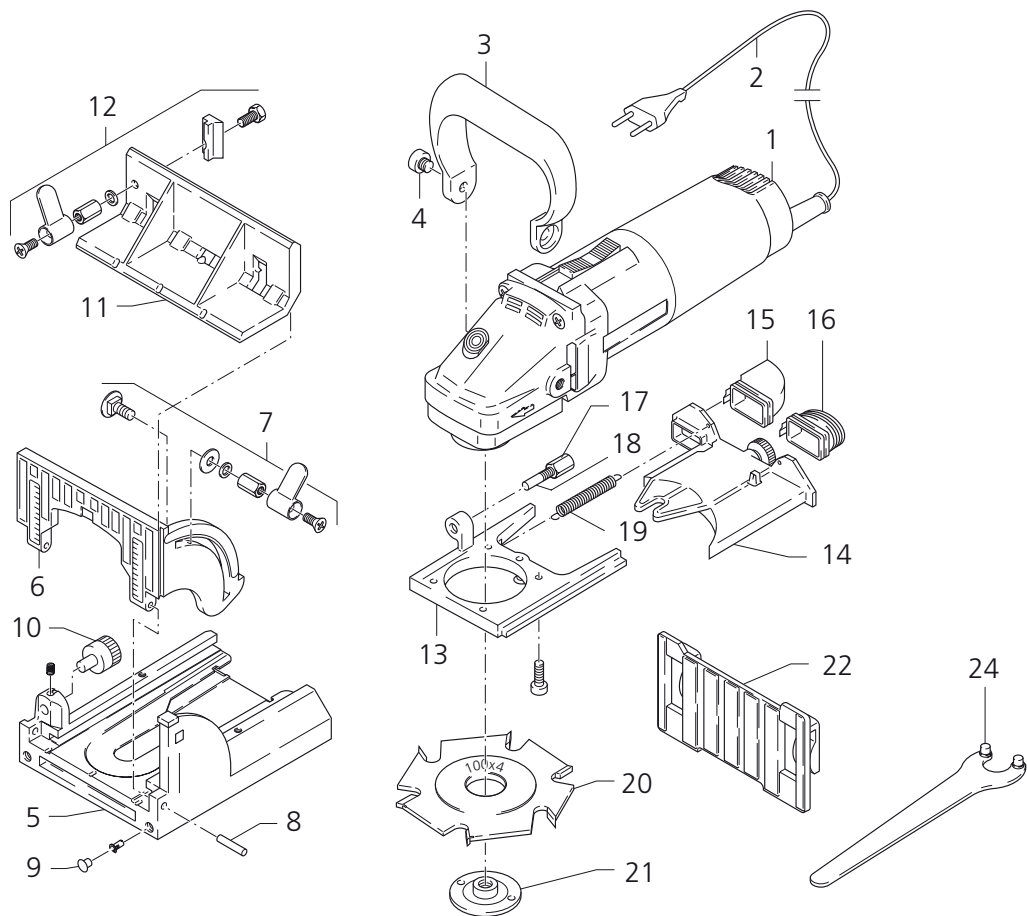


Pos.	Description	Art. No.
28	Ball handle	252028
29	Screw M5 x 25 mm	352527
30 – 43	Cutter case, complete, with supporting foot and sliding guide	251863
32, 33	Chip protection with screws	251850
34, 35	Sliding guide, complete, with screws	251852
36	Screw M 5 x 6	352505
37	Switch	311702
38	Handle without switch	251848
39	Cheese head screw M 8 x 14	352814
40 – 42	Cover plate, complete	251849



Biscuit joiner Classic (6114 C / 6114)

swiss made



Pos.	Description	Art. No.
1	Electric motor 6114 C, 230 V, D	no more available 30 3141
	Electric motor 6114 C, 230 V, CH	no more available 30 3142
	Electric motor 6114 C, 230 V, USA	30 3143
2	Cable with plug, 230 V, D	31 5011
	Cable with plug, 230 V, CH	31 5010
	Cable with plug, 120 V, USA	31 5012
3	Handle	25 1116
4	Cheese head screw M8 x 12	35 2812
5	Baseplate with swivelling stop	25 1220
6	Swivelling stop	25 1222
7	Clamping lever	25 1017
8	Joint bolt	34 1020
9	Anti-slip pad	25 1004
10	Depth adjuster	25 1012
11	Stop square	25 1225
12	Clamping jaw	25 1018
13	Guide	25 1230
14	Cassette with central locking	25 1223
15	Deflector stub	33 1005
16	Extractor stub	33 1006
17, 18	Depth adjuster	25 1013
19	Tension spring	35 1111
20	HW cutter (100 x 4 x 22 mm)	13 2106
21	Flange	31 3570
22	Extension plate 4 mm, red	25 3022
23	Face spanner	27 1951

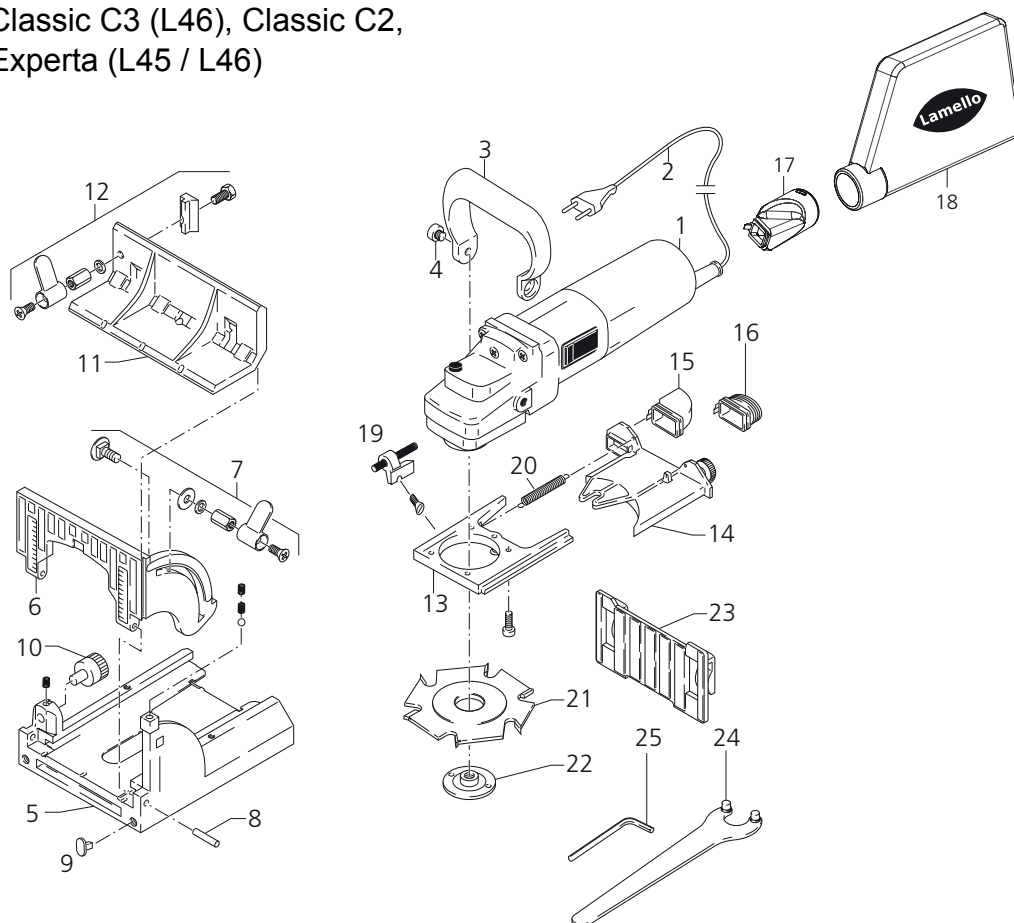
Year of manufacture until 1998, spare parts while stock lasts!



Biscuit joiner

Classic C3 (L46), Classic C2,
Experta (L45 / L46)

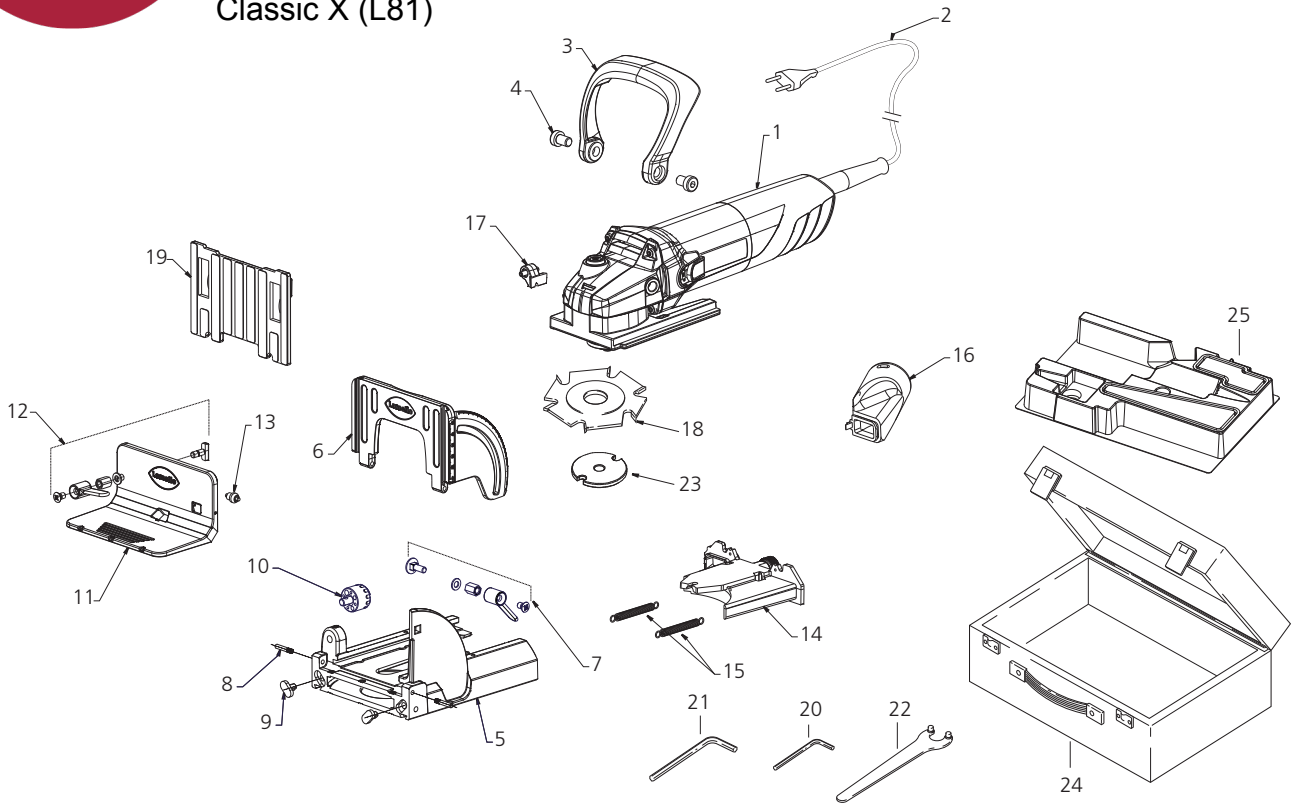
swiss made



Pos.	Description	Art. No.
1	Electric motor L46, complete, with guide 230 V, D	30 4501
	Electric motor L46, complete, with guide 230 V, CH	30 4502
	Electric motor L46, complete, with guide 120 V, USA	30 4503
2	Cable with plug, 230 V, D	31 5011
	Cable with plug, 230 V, CH	31 5010
	Cable with plug, 120 V, USA	31 5012
	Cable with plug, 240 V, AUS	31 5013
3	Handle	25 1016
4	Cheese head screw M8 x 16	35 2816
5	Baseplate with swivelling stop, with scale in mm	25 1050
6	Swivelling stop, with scale in mm	25 1052
7	Clamping lever	25 1017
8	Hinge bolt	34 1020
9	Anti-slip pad	33 1050
10	Depth adjuster	25 1012
11	Stop square	25 1054
12	Clamping jaw	25 1018
13	Guide	25 4550
14	Cassette with central locking	25 1055
15	Guide stub	33 1005
16	Suction stub	33 1006
17	Adapter 36 mm	33 1007
18	Dust bag	33 7530
17, 18	Dust bag, complete	25 7530
19	Stop for depth adjuster	25 4051
20	Tension spring	35 1111
21	HW cutter (100 x 4 x 22 mm)	13 2106
22	Clamping nut	31 4518
23	Thickness plate 4 mm	25 3024
24	Face spanner 30/5 mm	27 1949
25	Allen key 2 mm	27 1942



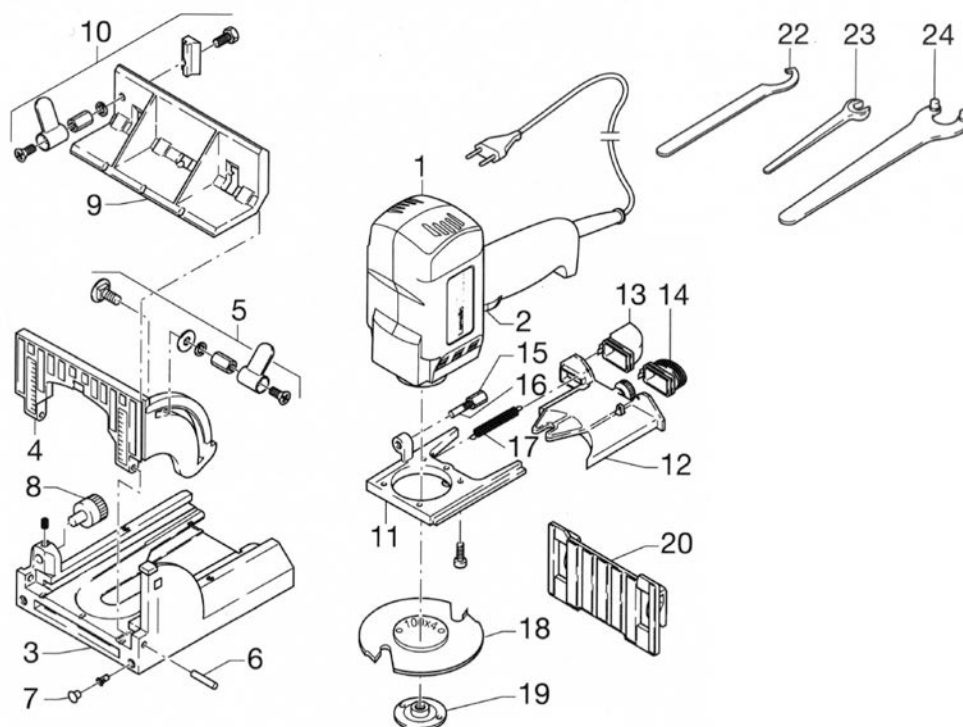
**Biscuit joiner
Classic X (L81)**



Pos.	Description	Art. No.
1	Electric motor L81 complete, with guide 230 V, D	30 8100D
	Electric motor L81 complete, with guide 230 V, CH	30 8100CH
	Electric motor L81 complete, with guide 120 V, US	30 8100US
	Electric motor L81 complete, with guide 230 V, GB	30 8100GB
	Electric motor L81 complete, with guide 240 V, AU	30 8100AU
2	Cable with plug, 230 V, D	31 5011
	Cable with plug, 230 V, CH	31 5010
	Cable with plug, 120 V, USA	31 5012
	Cable with plug, 230 V, GB	31 5014
	Cable with plug, 240 V, AUS	31 5013
3	Handle	25 1015
4	Cheese head screw M8 x 12	35 2812
5	Baseplate with swivelling stop, with scale in mm	25 7571
6	Swivelling stop, with scale in mm	25 1042
7	Clamping lever for swivelling stop	25 1047
8	Hinge bolt	34 1020
9	Anti-slip pad	33 1050
10	Depth adjuster	25 1012
11	Stop square	25 1054
12	Clamping jaw with clamping lever	25 1018
13	Roll for stop square	25 1049
14	Cassette with central locking	25 1055
15	Tension spring (piece)	35 1110
16	Adapter 36 mm	33 1007
17	Stop for depth adjuster	25 4051
18	Cutter, carbide tipped (100 x mm, Z6)	13 2106
19	Spacer 4 mm	25 3026
20	Allen key 2 mm	27 1942
21	Allen key 5 mm	27 1953
22	Face spanner	27 1982
23	Lose Flange	34 1092
24	Wood case	25 7055
25	Plastic inlay	36 0010



Biscuit joiner Cobra 10 (D7640H)

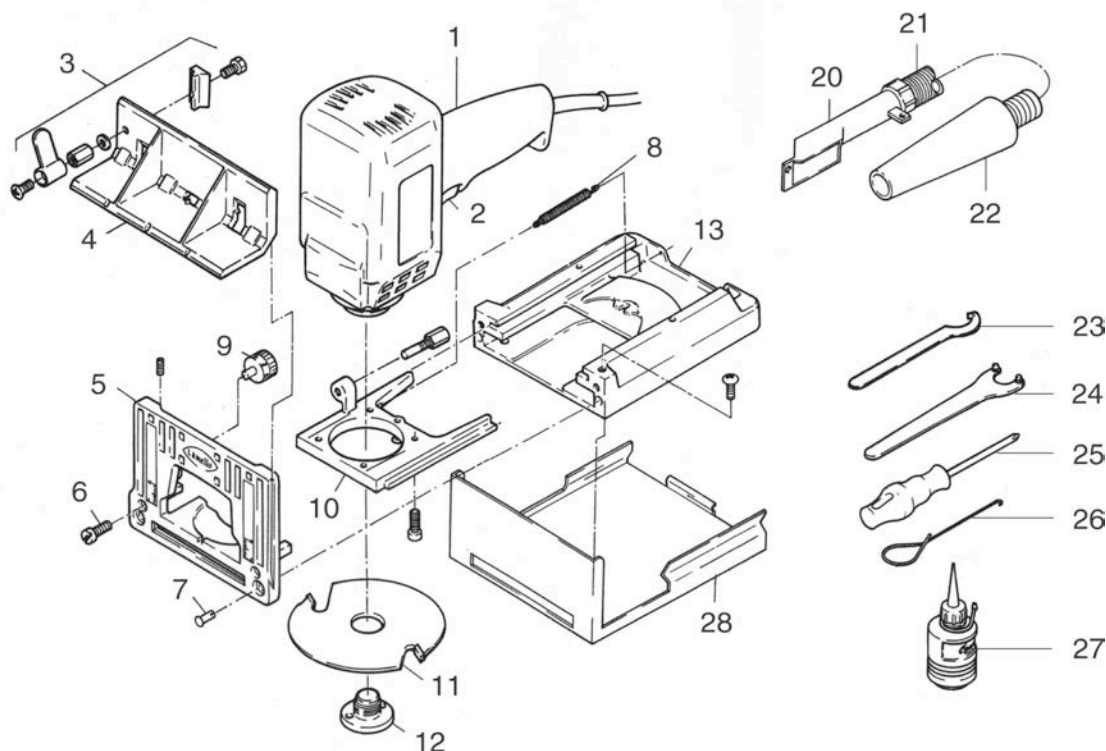


Pos.	Description	Art. No.
1	Electric motor D7640H, 230 V	no more available 30 5001
	Electric motor D7640H, 120 V	no more available 30 5003
2	Switch	31 5020
3	Base plate with swivelling stop, with scale in mm	25 1060
	Base plate with swivelling stop, with scale in inches	25 1061
4	Swivelling stop, with scale in mm	25 1062
	Swivelling stop, with scale in inches	25 1063
5	Clamping lever	25 1017
6	Joint bolt	34 1020
7	Anti-slip pads	25 1004
8	Depth adjuster	25 1012
9	Try square	25 1025
10	Clamping jaw	25 1018
11	Guide	25 1065
12	Cassette with central locking	25 1005
13	Deflector stub	33 1005
14	Extractor stub	33 1006
15, 16	Depth adjuster stop	25 1013
17	Tension spring	35 1111
18	HW cutter (100 x 4 x 22 mm)	13 2120
19	Flange M8	31 3118
20	Extension plate 4 mm	25 3022
22	Sickle spanner	27 1950
23	Fork wrench 8 mm	27 1954
24	Face spanner A25	27 1956

Year of manufacture until 1998, spare parts while stock lasts!



Biscuit joiner Directa (D7640H)

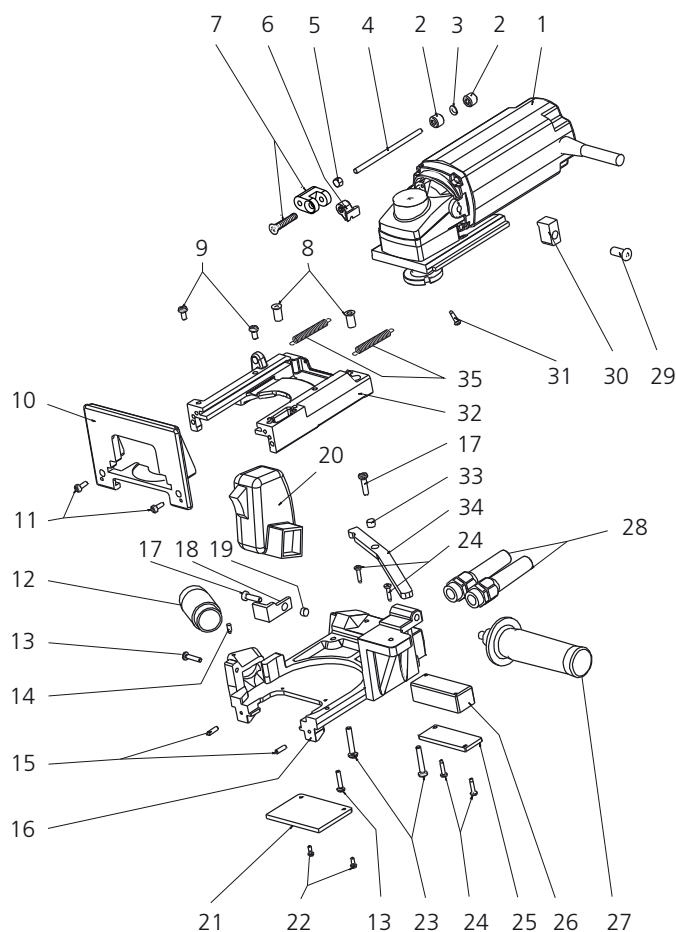


Pos.	Description	Art. No.
1	Electric motor D7640H, 230 V	no more available 30 5002
	Electric motor D7640H, 120 V	no more available 30 5003
2	Switch	31 5020
3	Clamping jaw with clamping lever	25 1018
4	Try square	25 1025
5	Front plate, with scale in mm	25 1360
5.1	Front plate H9, with scale in mm	25 1364
5.2	Front plate H9, with scale in inches	25 1365
6	Cheese head screw M5	25 2510
7	Anti-slip pads	25 1004
8	Tension spring	35 1111
9	Depth adjuster	25 1012
10	Guide	25 1352
11	HW cutter (100 x 4 x 22 mm)	13 2104
12	Flange	34 1355
13	Base plate	25 1350
21	Suction hose, black	33 1808
22	Conical connecting piece	33 1802
23	Sickle spanner 25 mm	27 1950
24	Face spanner A25	27 1956
25	Cross-head screwdriver	27 1913
26	Wire hook	27 1957
27	Oil can	27 1962

Year of manufacture until 1995, spare parts while stock lasts!



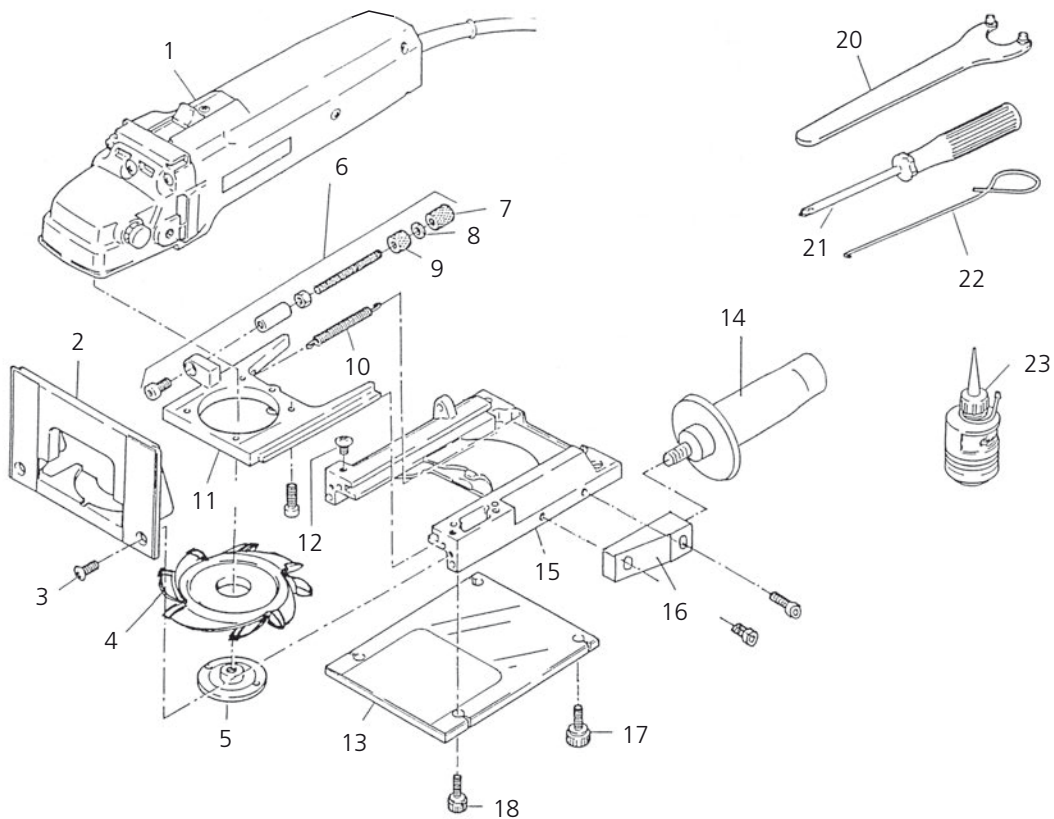
Wood repairing machines G20 S2 (L62), G20 (11150)



Pos.	Description	Art. No.
1	Electric motor, complete, with guide L62 S2, 230 V	30 6200
	Electric motor, complete, with guide L62 S2, 120 V	30 6200US
2	Milled nut M5 x 10	34 1215
3	Ring nut PA 6 10 x 6 x 1.5	34 1112
2, 3, 4, 5	Depth adjuster	25 1212
6, 7, 31	Holder for depth adjuster	25 1706
8, 32	Base plate	G20 S2 25 1751
	Base plate	G20 25 1730
9, 10, 11	Front plate	25 1731
12, 14	Suction stub, grub screw	25 1752
15	Tip (pair)	25 1735
16, 13, 23, 24, 25, 26	Bottom plate with screws, complete	G20 S2 25 1757
	Bottom plate with screws, complete	G20 25 1738
17, 18, 19	Locking catch, complete	G20 S2 25 1754
	Locking catch, complete	G20 25 1746
17, 33, 34	Advance handle, complete	25 1753
20	Handle, right, without switch	25 1737
20	Switch	31 1702
21, 22	Cover	25 1732
27	Handle M8	25 1736
28	Cable protection	33 1732
29, 30	Carrier and screw	G20 S2 25 1756
35	Tension spring (pair)	25 1758



Wood repairing machines G22 (9123)

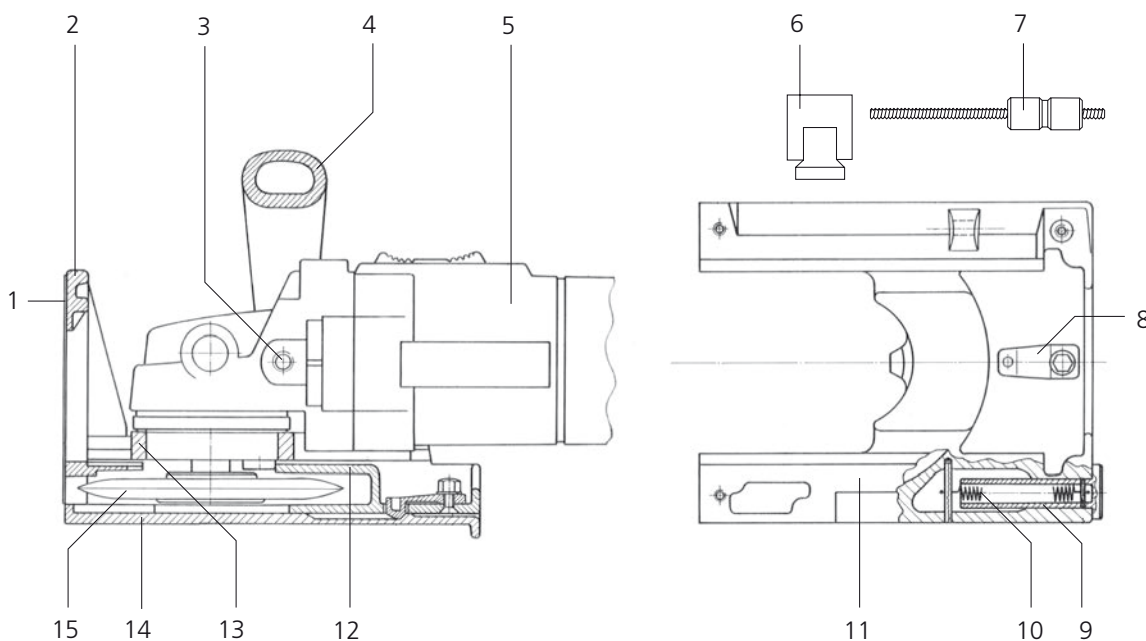


Pos.	Description	Art. No.
1	Electric motor 9123, complete	no more available 30 3162
2, 3	Front plate	25 1731
3	Cheese head screw M4 x 12	35 2412
4	Minispot cutter HW (100 x 15 x 22 mm)	13 2209
5	Flange M8	31 3118
6	Depth adjuster, complete	25 1212
7	Milled nut M5 x 16	34 1214
8	Ring nut 10 x 1.5	34 1213
9	Milled nut M5 x 10	34 1215
10	Tension spring	35 1711
11	Guide	25 1210
12	Cheese head screw M5 x 10	35 2510
13, 17, 18	Bottom covering, transparent	25 1750
14	Handle	31 3160
15	Base plate	25 1765
16	Handle support	25 1760
17	Milled nut, M5 x 16	35 5516
18	Milled nut, M4 x 16	35 5416
20	Face spanner	27 1951
21	Cross-head screwdriver	27 1913
22	Wire hook	27 1957
23	Oil can	27 1962

Year of manufacture until 1999, spare parts while stock lasts!



Wood repairing machines
G2A (L46 / L45), G2 (7115 / 6114)

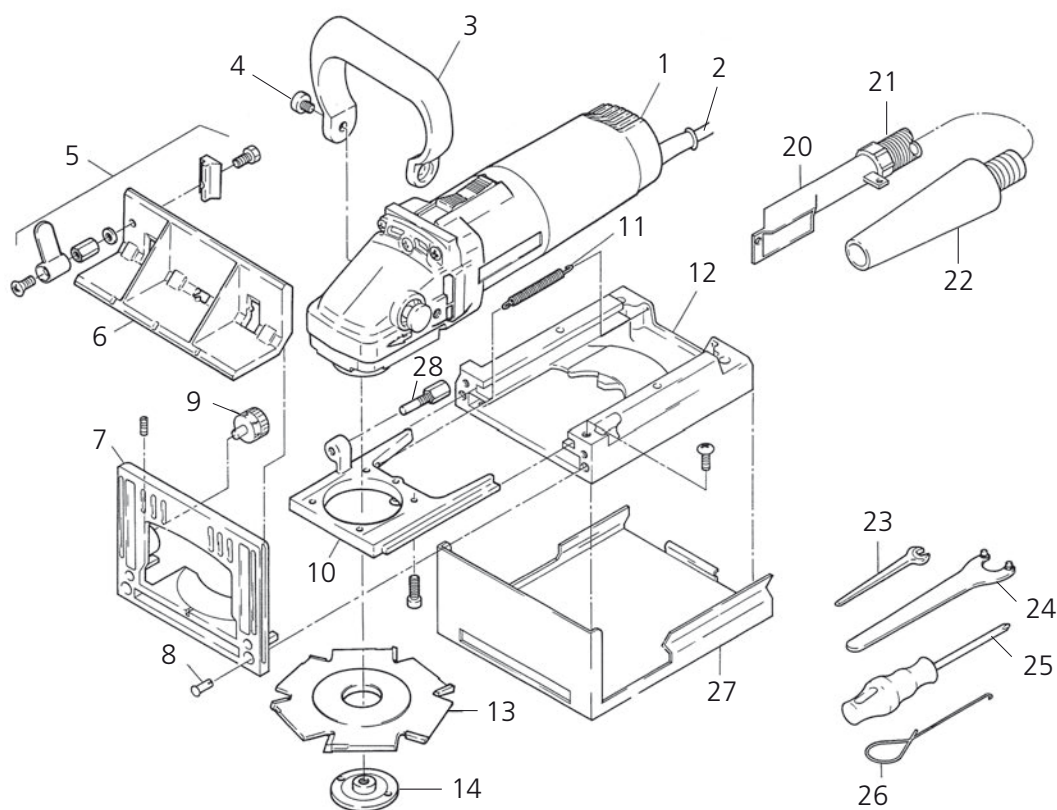


Pos.	Description		Art. No.
1	Anti slide surface	G2A	33 1740
	Rubber stopper	G2	33 1714
1, 2	Front plate		25 1704
3	Cheese head screw M8 x 16		35 2816
4	Handle, red	G2A	25 1016
	Handle, green	G2	25 1116
5	Electric motor L46, 705 W, 230 V, D	G2A	30 4506
	Electric motor L46, 705 W, 230 V, CH	G2A	30 4507
	Electric motor L46, 705 W, 120 V, US	G2A	30 4508
6	Holder for depth adjuster, complete	G2A	25 1706
7	Depth adjuster, complete		25 1212
	Ring nut PA 6 10 x 6 x 1.5 mm		34 1112
	Milled nut M5 x 10		34 1215
	Milled nut M5 x 16		34 1214
8	Snap-fit		33 1704
9, 10	Spring barell		25 1703
11, 8, 9, 10	Base plate	G2A	25 1705
	Base plate	G2	25 1702
12	Tension spring		35 1111
13	Guide	G2A	25 4552
	Guide	G2	25 1210
14	Bottom covering, transparent		33 1700
15	Minispot cutter		13 2217



Biscuit joiner Junior 10 / Standard 10 (6114)

swiss made

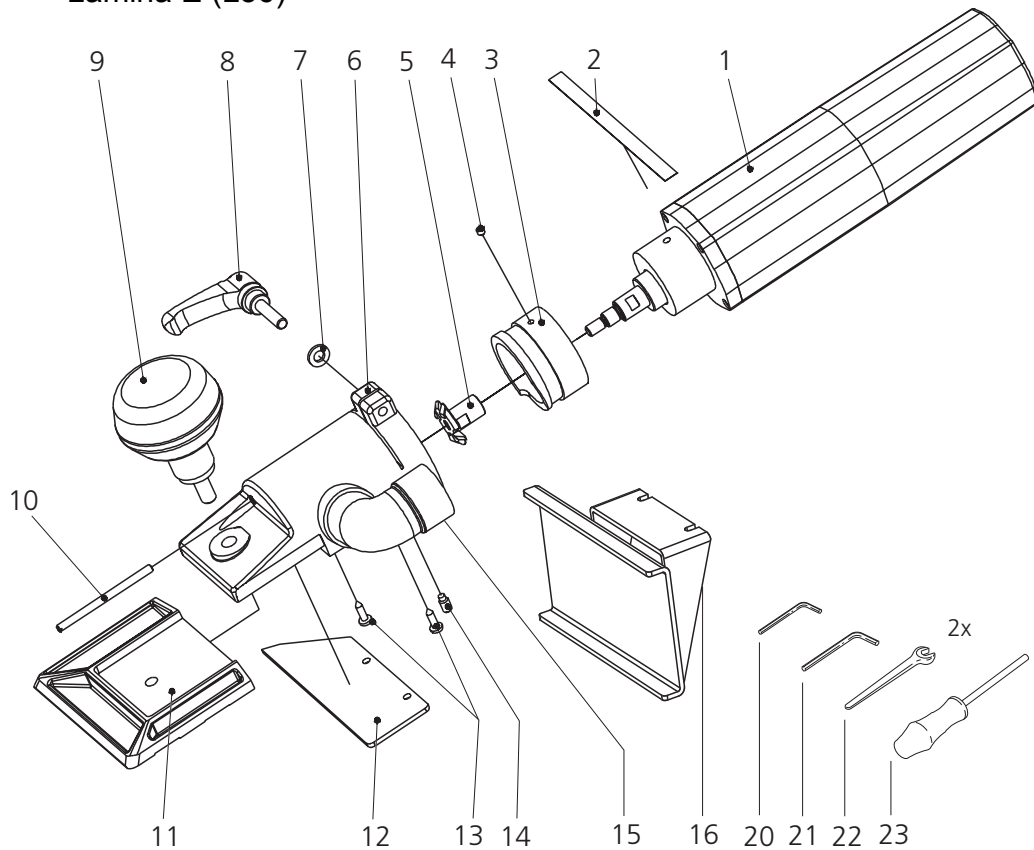


Pos.	Description	Art. No.
1	Electric motor 6114, 230 V	no more available
2	Cable with plug, 230 V	no more available
3	Handle	25 1116
4	Cheese head screw M8 x 12	35 2812
5	Clamping jaw with clamping lever	25 1018
6	Try square	25 1025
7	Aluminium front guide	25 1320
8	Anti-slip pads, complete	25 1004
9	Depth adjuster	25 1012
10	Guide	25 1310
11	Tension spring	35 1111
12	Base plate	25 1300
13	HW cutter (100 x 4 x 22 mm)	13 2103
14	Flange M8	31 3118
20	Suction stub LMA-74 oncl. screw	28 1804
21	Suction hose, black, LW 23 mm	33 1808
22	Conical connecting piece	33 1802
23	Fork wrench 8 mm	27 1954
24	Face spanner	27 1951
25	Cross-head screwdriver	27 1913
26	Wire hook	27 1957
27	Slide shoe	32 1340
28	stop for depth adjustment	25 1013

Year of manufacture until 1998, spare parts while stock lasts!



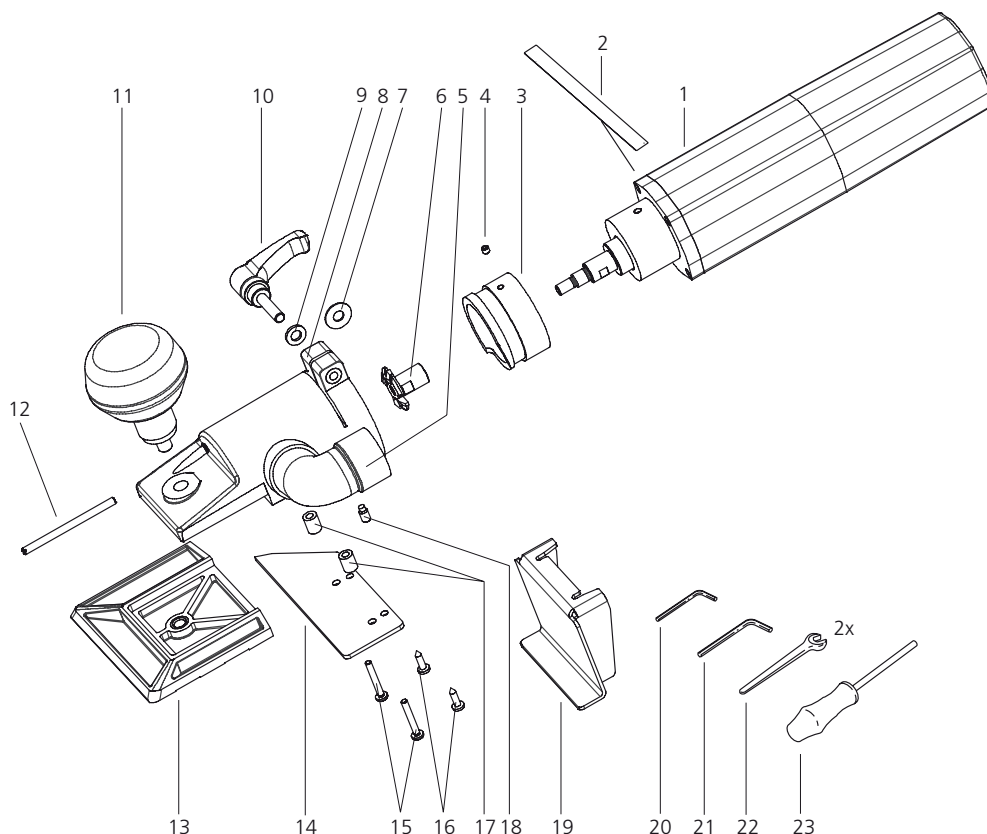
Laminate trimmer Lamina E (L56)



Pos.	Description	Art. No.
1	Electric motor L56, 230 V, CH	30 5600CH
	Electric motor L56, 230 V, D	30 5600D
	Electric motor L56, 120 V, US	30 5600US
2	Scale for Lamina E	35 8196
3,4	Excentric + screwed pin	25 1901
5	HW-form cutter 35°, Z4, Ø =30	13 1980
6	Cutter case	33 1980
7, 8	Clamping lever + U-disc	25 1903
9	Ball handle, complete	25 1904
10	Screwed pin M4 x 60 mm	35 7460A
11	Base plate	33 1981
12, 13	Sliding guide with 2 screws	25 1905
13	PT-Screws, 2 pieces, KA 40 x 16	35 5416A
14	Screwed pin M5 x 10	35 2250
15	Ejection pipe 90°	32 1981
6, 7, 8, 10, 13, 14, 15	Cutter case, complete	25 1906
16	Stop square with screws	25 1907
20	Socket-head key 2 mm	27 1942
21	Socket-head key 2.5 mm	27 1943
22	Fork wrench 10 mm, black	27 1958
23	Torx screwdriver T 20	27 1930

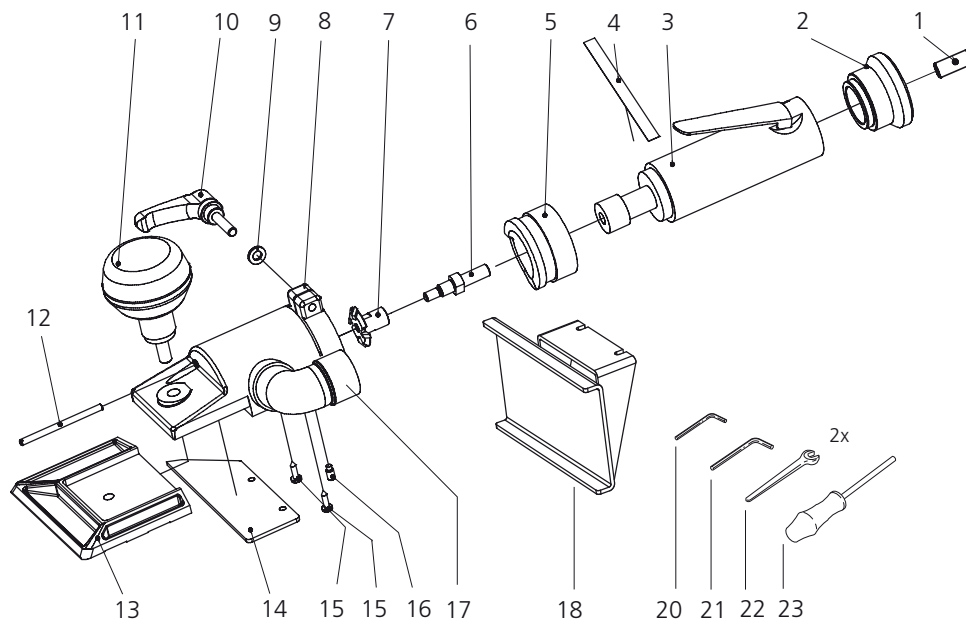


Laminate trimmer Lamina E2 (L56)



Pos.	Description	Art. No.
1	Electric motor L56, 230 V, CH	30 5600CH
	Electric motor L56, 230 V, CH	30 5600D
	Electric motor L56, 120 V, US	30 5600US
2	Scale for Lamina E	35 8197
3, 4	Eccentric ring + screwed pin	25 1901
5	Ejector spout 90°	32 1981
6	Form cutter for Lamina 35°, Z4 Ø = 30	13 1980
	Form cutter for Lamina 22°, Z4 Ø = 30	13 1981
	Form cutter for Lamina 45°, Z4 Ø = 28	13 1982
7	Washer	35 3690
8	Cutter case	33 1980
9, 10	Clamping lever + U-disc	25 1903
11	Ball handle, complete	25 1904
12	Screwed pin M4 x 60 mm	35 7460A
13	Base plate	33 1981
14, 16	Sliding guide with 2 screws	25 1905
15	PT-Screws, 2 pieces KA 40 x 25	35 5425
16	PT-Screws, 2 pieces KA 40 x 16	35 5416A
17	Distance bush, 2 pieces	34 1984
18	Screwed pin M5 x 10, zined	35 2250
16, 19	Square stop with screws	25 1908
5, 7, 8, 9, 10, 12, 16, 18	Cutter case, complete	25 1906
20	Socket-head key 2 mm	27 1942
21	Socket-head key 2.5 mm	27 1943
22	Fork wrench 10 mm	27 1958
23	Torx screwdriver TX 20	27 1930

Laminate trimmer Lamina P (P50)



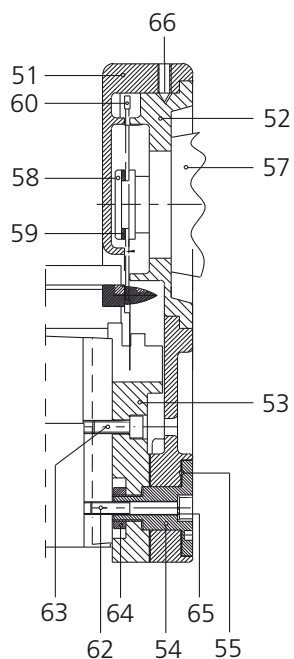
Pos.	Description	Art. No.
1	Pipe nipple 1/4" - 30	32 1983
2	Absorbing duct for P50	33 1982
3	Compressed air motor P50	30 1950
	Compressed air motor P50 in exchange	30 1950A
4	Scale	35 8198
5	Excentric	34 1981
6	Shaft for cutter	34 1982
7	HW-form cutter 35°, Z4, Ø =30	13 1980
8	Cutter case	33 1980
9, 10	Clamping lever + U-disc	25 1903
11	Ball handle, complete	25 1904
12	Screwed pin M4 x 60 mm	35 7460A
13	Base plate	33 1981
14, 15	Sliding guide with 2 screws	25 1905
15	PT-screw KA 40 x 16	35 5416A
16	Screwed pin M5 x 10, zined	35 2250
17	Ejection pipe 90°	32 1981
8, 9, 10, 12, 15, 16, 17	Cutter case, complete	25 1906
18	Stop square with screws	25 1907
20	Socket-head key 2 mm	27 1942
21	Socket-head key 2.5 mm	27 1943
22	Fork wrench 10mm, black	27 1958
23	Torx screwdriver T 20	27 1930



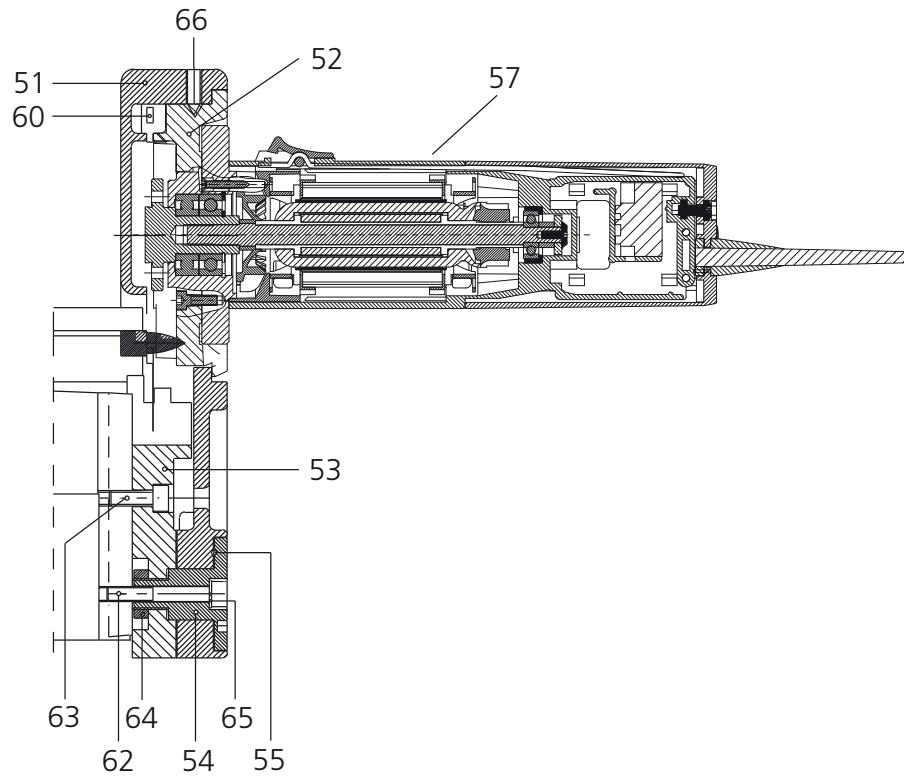
Wood repairing machines

Patchmaker 2 – Saw unit L49 (D7640H)
until 2012

swiss made



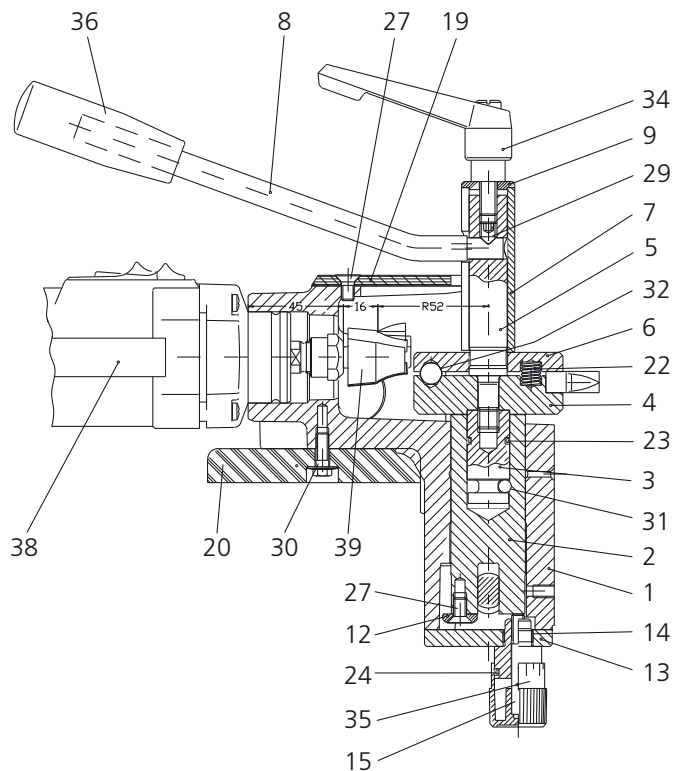
Pos.	Description	Art. No.
51, 53, 54, 55, 62 – 66	Swivelling lever, complete + cover without Motor	25 1606
52	Cover	26 1611
53	Covering for Sawing unit	26 1612
57	Electric motor D7640H 220 V, CH	no more available 30 5002 -> 305201CH
	Electric motor D7640H 230 V, D	no more available 30 5001 -> 305201D
	Electric motor D7640H 120 V, USA	30 5003
	Electric motor D7640H 240 V, AUS	30 5004
58	Flange nut (flange)	34 1355
59	Spacing disc D 32 x 22 x 1.5 mm	34 1621
60	Saw blade, HW, D 100 mm, Z20	13 2301



Pos.	Description	Art. No.
51, 53, 54, 55, 62 – 66	Swivelling lever, complete + cover without Motor	25 1606
52	Cover	26 1611
53	Covering for Sawing unit	26 1612
57	Electric motor L52 220 V, CH	30 5201 CH
	Electric motor L52 230 V, D	30 5201 D
	Electric motor L52 120 V, USA	30 5201 USA
	Electric motor L52 240 V, AUS	30 5201 AUS
60	Saw blade, HW, D 100 mm, Z20	13 2301

Wood repairing machines

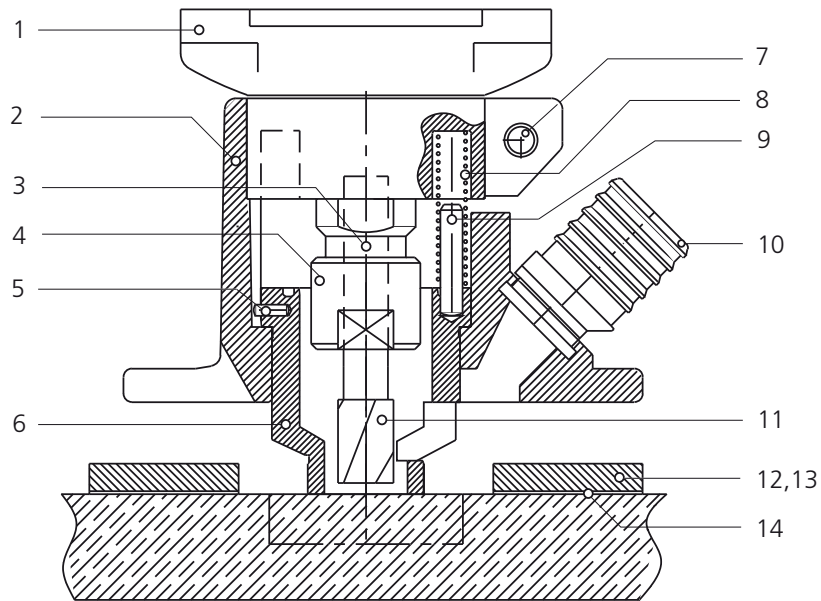
Patchmaker 2



Pos.	Description	Art. No.
1 – 38	Milling unit with Motor	11 1605
1	Housing for cutting unit	26 1600
2, 31	Lifter rod with cylindric bold	25 1601
3, 4, 5, 23	Clamping unit bottom, complete	25 1602
6	Clamping unit top D 70 x 9 mm	34 1612
7	Clamping bush D 25/18 x 77.5 mm	34 1613
8	Turning lever D 12 x 210 mm	34 1614
9	Curved washer D 25 x 4 mm	34 1602
10	Lifter level D 16 x 170 mm	34 1615
12, 27	Stop sleeve with Screw	25 1603
13, 14, 24	Cover, O-Ring, threaded sleeve	25 1604
15, 35	Thread shaft, turning lever	25 1605
19, 27	Cover with screws	25 1600
22	Pressure spring	35 1601
29	Screwed pin M8 x 10 (90°-top)	35 7810
30	Hexagon screw M6 x 16	35 2618
31	Cylindrical pin	35 7628
32	Ball D 10 mm	35 9100
34	Clamping lever M8 x 16, black	35 5816
36	Handle D 26/12 x 80 mm	35 5161
37	Handle M8	31 3160
38	Electric motor L51 230 V, CH	30 5100CH
	Electric motor L51 230 V, D	30 5100D
	Electric motor L51 110 V, US	30 5100US
	Electric motor L51 230 V, AUS	30 5100AUS
39	Form cutter Patchmaker, HW Z2	13 1600



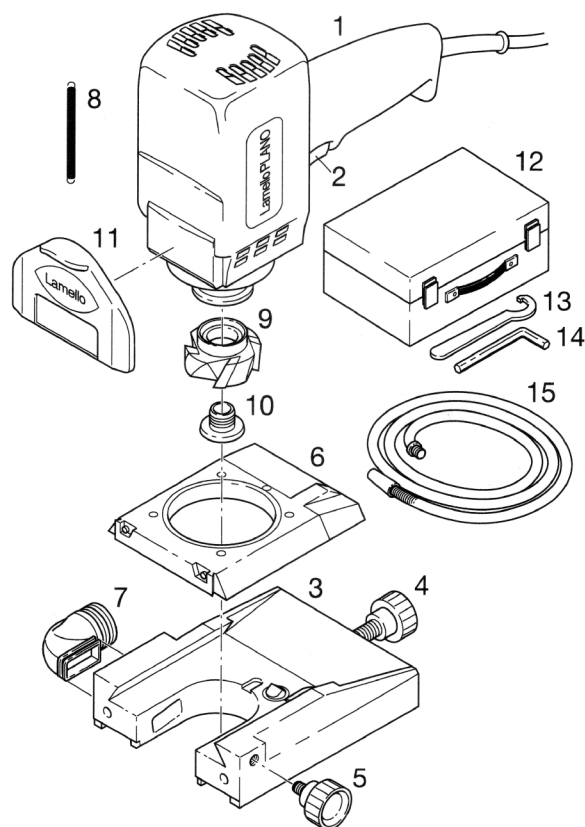
Wood repairing machine for knots Perfora E (L50)



Pos.	Description	Art. No.
1	Electric motor L50, 230 V, CH	30 4602
	Electric motor L50, 230 V, D	30 4601
2 – 10	Milling device Perfora E, complete	25 1970
3	Collet chuck 8 mm for L50	25 1962
4	Collet nut	25 1969
7	Screw M6 x 25	35 2625
8	Pressure spring for Perfora E (pair)	25 1974
10	Extractor stub	33 1006
11	End-milling cutter, HW, 10 X 15 mm, Z2	13 1970
12, 13, 14	Milling template Perfora	12 1970
13	Tips for milling template Perfora (pair)	25 1973



Flush milling machines Plano (D7640H)



Pos.	Description	Art. No.
1	Electric motor D7640H 230 V, D	no more available 30 5001
	Electric motor D7640H 230 V, CH	no more available 30 5002
	Electric motor D7640H 230 V, US	no more available 30 5003
2	Switch	31 5020
3	Base plate	25 1810
4	Adjusting screw, complete	25 1826
5	Milled nut, complete	25 1825
6	Guide	25 1811
7	Extractor stub	33 1824
8	Reacting spring	35 1862
9	Hw cutter	13 1800
10	Flange nut	34 1815
11	Front protection	25 1822
12	Wooden box	25 7118
13	Sickle spanner	27 1950
14	Socket-head key 6 mm	27 1960
15	Suction set	12 1810

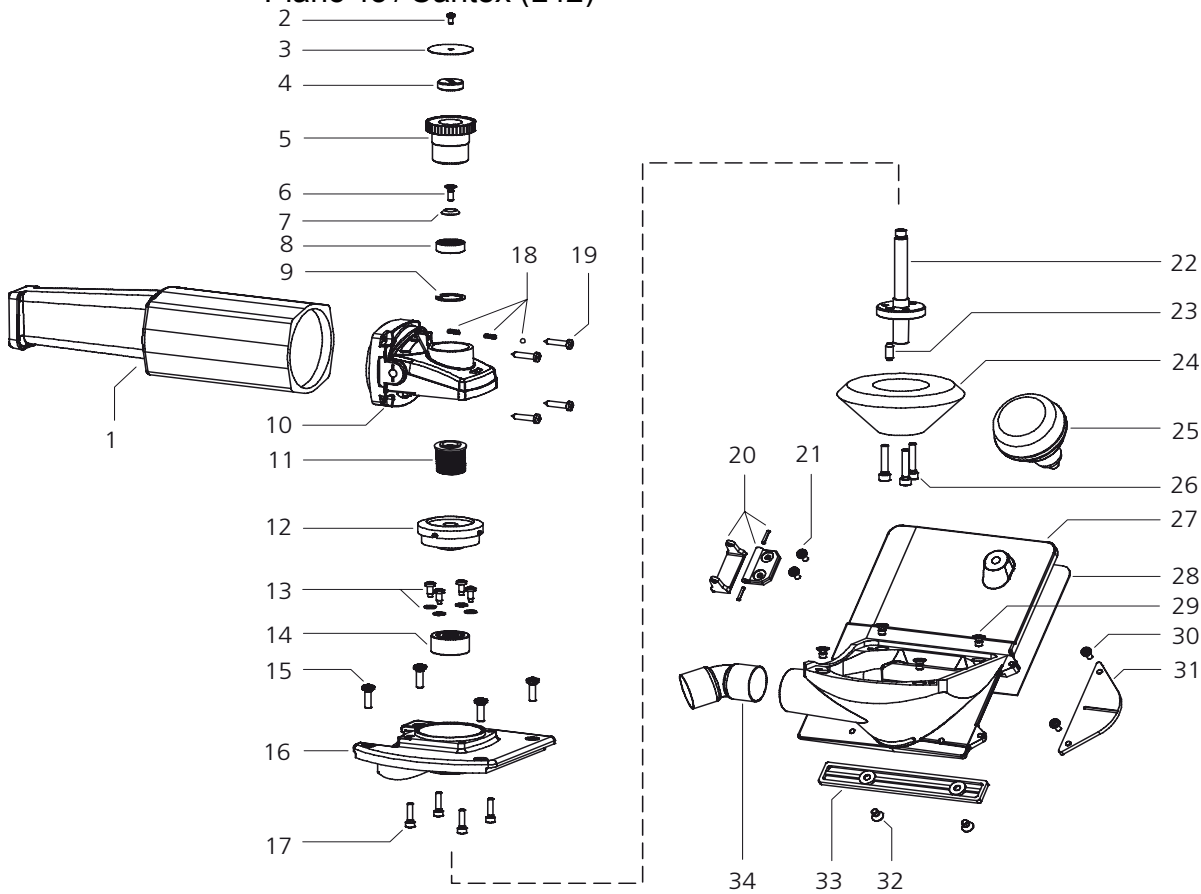
Year of manufacture until 1999, spare parts while stock lasts!



Flush milling machines

Plano 45 S2 / Cantex S2 (L60 S2),
Plano 45 S / Cantex S (L60),
Plano 45 / Cantex (L42)

swiss made



Pos.	Description	Art. No.
1 – 22	Electric motor L60 S2, complete, with guide plate 230 V, CH	30 6005CH
	Electric motor L60 S2, complete, with guide plate 230 V, D	30 6005DE
	Electric motor L60 S2, complete, with guide plate 120 V, US	30 6005US
2, 4	Threaded insert, hex key screw M 3x6	31 4214
3	Height scala	32 1830
5	Set screw	31 4213
6, 7	Supporting foot	25 1859
8	Groove ball bearing, 608 ZZ	31 3215
10	Gear box case with spindle lock	31 6202
11	Disk spring with spacing disk	31 4042
12	Ring gear, pin and pinion	Plano 45 S2 / Cantex S2 31 6031
	Ring gear, pin and pinion	Plano 45 S / Cantex S 31 4041
	Ring gear, pin and pinion	Plano 45 / Cantex 31 4041
13	Screw M4 x 8 mm	35 2407
14	Groove ball bearing 3200B-2RS	31 3230
15	Filister-head screw M 5 x 16 mm	35 2518
13, 14, 16, 17	Guide plate, complete	Plano 45 S2 / Cantex S2 25 1858
16	Guide plate	Plano 45 S / Cantex S 32 1824
	Guide plate	Plano 45 / Cantex 32 1824
17	Cheese head screw M4 x 16 mm	35 2418
18	Ball and springs for height adjustment	31 4043
20, 21	Supporting foot, complete, with screws	25 1851
22	Milling spindle	Plano 45 S2 / Cantex S2 31 6033
	Milling spindle	Plano 45 S / Cantex S 31 4212
	Milling spindle	Plano 45 / Cantex 31 4212
24, 26	Knife-head Z3 with reversing blades	13 1821

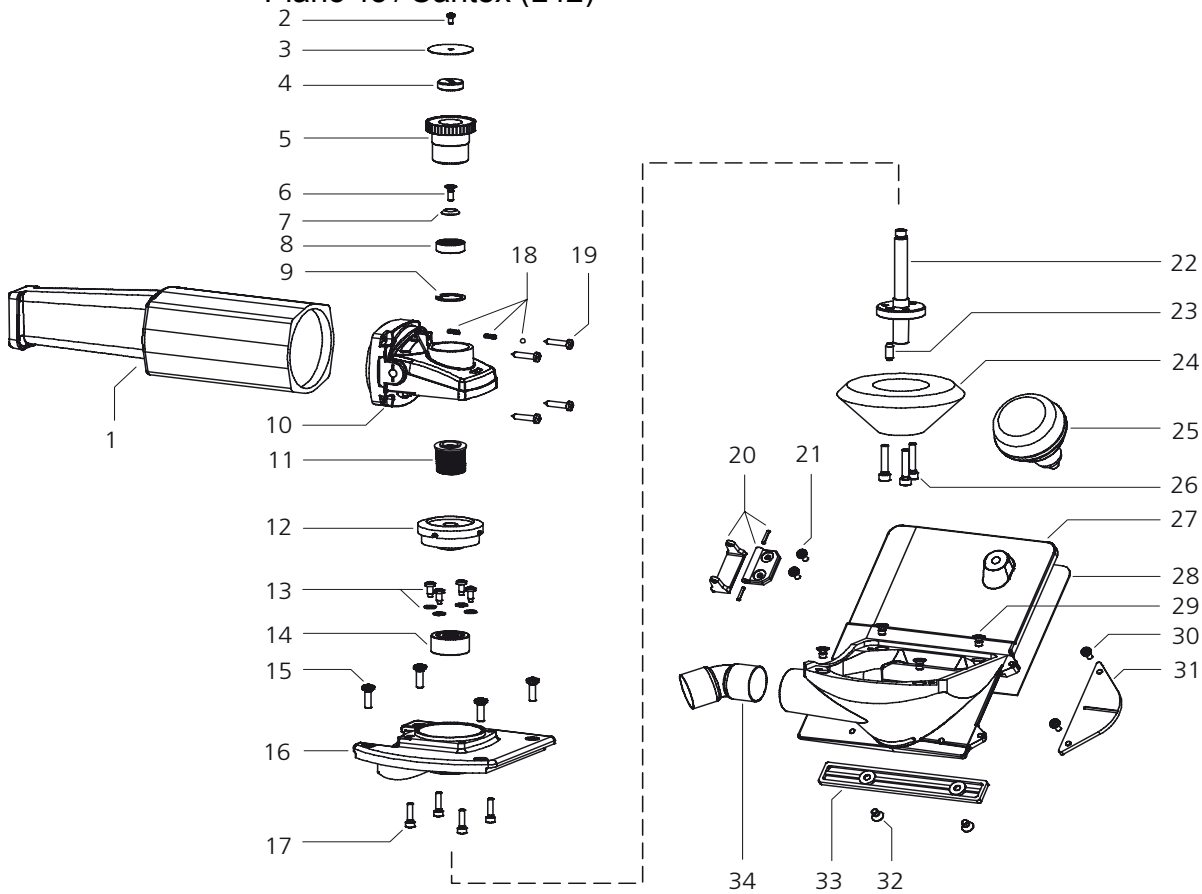
to be continued



Flush milling machines

Plano 45 S2 / Cantex S2 (L60 S2),
Plano 45 S / Cantex S (L60),
Plano 45 / Cantex (L42)

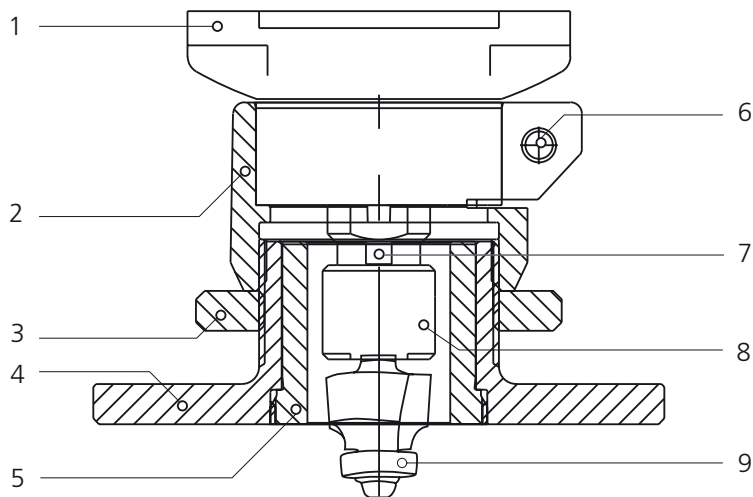
swiss made



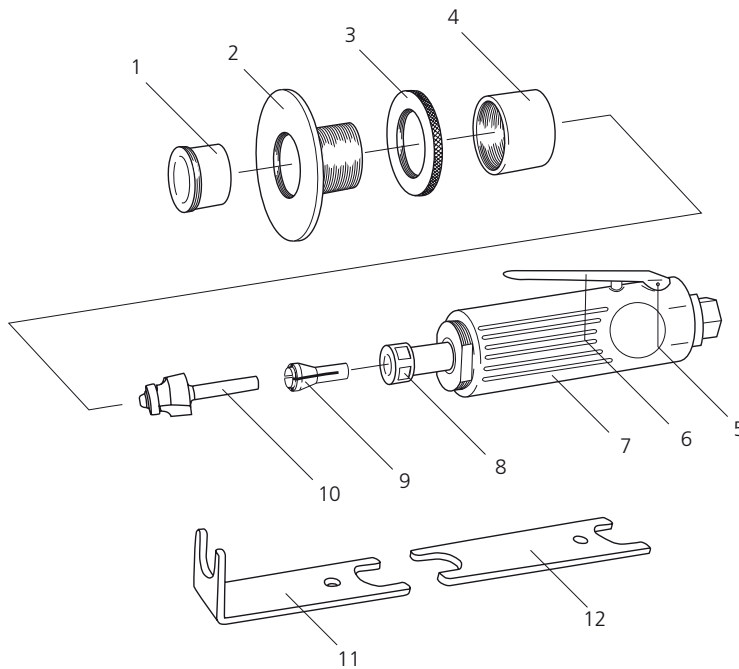
Pos.	Description	Art. No.
24.1	Reversing blades, set of 3 items	13 1822
24.2	Srew for fixing the knives	35 2356
24.3	Clamping wedge for knife-head Z3	32 1823
24.4	Screwed pin M5 x 12, for clamping wedge	35 7511
25	Ball handle	25 2028
26	Cheese head screw M5 x 25 mm	35 2527
27 – 34	Cutter case, complete	Cantex S2 25 1853
	Cutter case, complete	Plano 45 S2 25 1854
	Exchange cutter case, for parallel stop (old cutter case to send back)	Cantex S2 25 1853A
30, 31	Chip protection	25 1850
32, 33	Sliding guide for Cantex, complete, with screws	25 1852
34	Ejection pipe 45°	32 1828

Edge milling machines

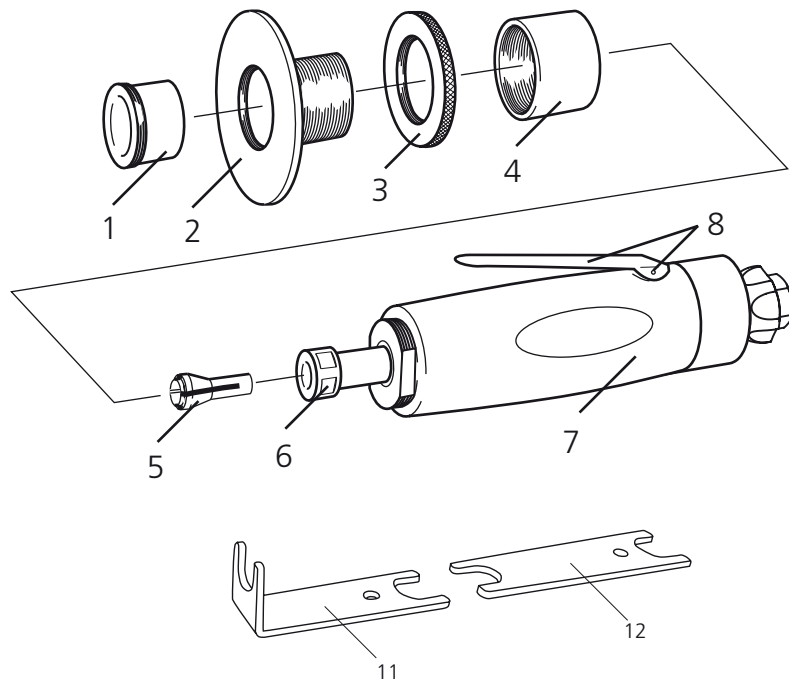
Profila E / E special (L48 / L50 / 6139)



Pos.	Description	Art. No.
1	Electric motor L48 230 V, CH	30 4801CH
	Electric motor L48 230 V, D	30 4801
2	Distance sleeve M42 x 43	34 1960
3	Milled nut for Base plate D 100/34	34 1956
4	Base plate D 100/34	34 1962
	Guide plate with recess (for Profila E plus)	12 1982
5	Reducing sleeve	34 1964
6	Cheese head screw M6 x 25	35 2625
7	Collet chuck 6 mm for L50	25 1960
	Collet chuck 1/4" for L50	25 1961
	Collet chuck 8 mm for L50	25 1962
8	Collet nut	25 1969
9	Roanding router, HW, Z2, R 3 mm	13 1986



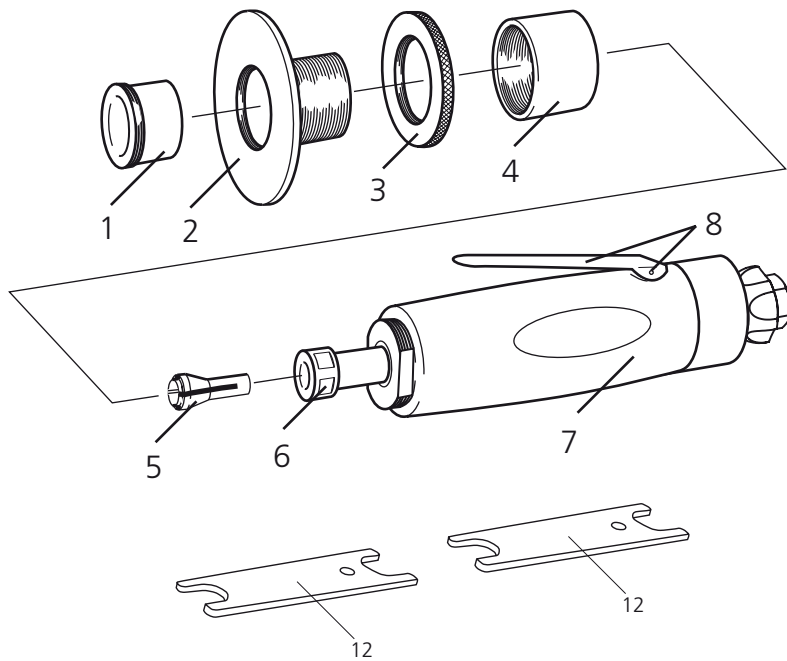
Pos.	Description	Art. No.
1	Reducing sleeve	34 1958
2	Base plate D 100/34	34 1955
3	Milled nut for Base plate	34 1956
4	Screw socket	34 1957
5, 6	Throttle lever	25 1955
5, 6, 7, 8, 9	Compressed air motor P50, complete	30 1950
	Replacement motor (defective motor returned)	30 1950A
8	Cap nut	25 1954
9	Collet chuck 6mm	25 1966
	Collet chuck 1/4" (6.35mm)	25 1967
	Collet chuck 8mm	25 1968
10	Roanding router, r = 3 mm	13 1986
11, 12	Ended spanner (pair)	27 1980
1, 2, 3, 4	Guide plate	12 1981



Pos.	Description	Art. No.
1	Reducing sleeve	34 1958
2	Base plate D 100/34	34 1955
3	Milled nut M42	34 1956
4	Screw socket	34 1957
5	Collet chuck 6mm	25 1966
	Collet chuck 1/4" (6.35mm)	25 1967
	Collet chuck 8mm	25 1968
6	Collet nut	25 1954
6, 7, 8	Pneumatic motor	30 1951
	Pneumatic motor in exchange	30 1951A
8	Lever, spring dowel sleeve	25 1959
Spare parts		
	Spiral hose d=8mm, complete	25 1957
	Spiral hose d=12mm, complete	25 1953
11, 12	pair of wrenches	27 1980

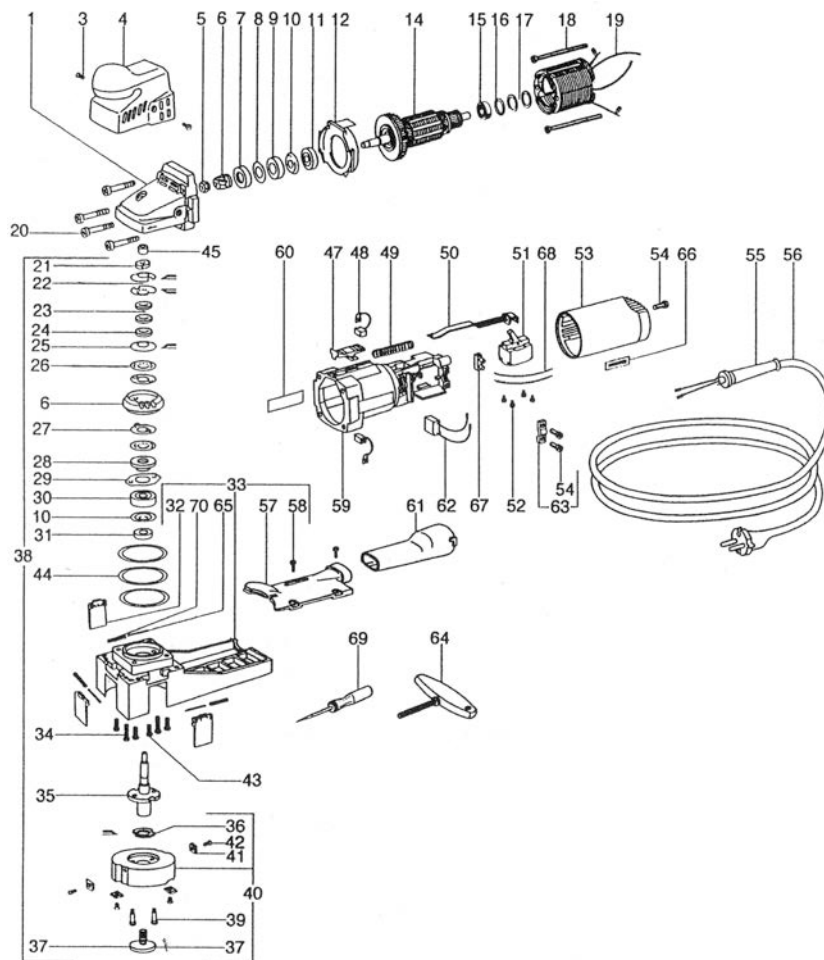
Edge milling machines

Profila Pro, Profila Pro Plus



Pos.	Description	Art. No.
1	Reducing sleeve	34 1958
1 + 2	Base plate D 100/34	12 1984
	Milled nut M42	12 1987
3	Screw socket	34 1956
4	Collet chuck 6mm	34 1957
5	Collet chuck 1/4" (6.35mm)	25 1968
	Collet chuck 8mm	25 1967
6	Collet nut	25 1954
6, 7, 8	Pneumatic motor	30 1952EK
Spare parts		
	Spiral hose d=8mm, complete	25 1957
	Spiral hose d=12mm, complete	25 1953
12	pair of wrenches	27 1980

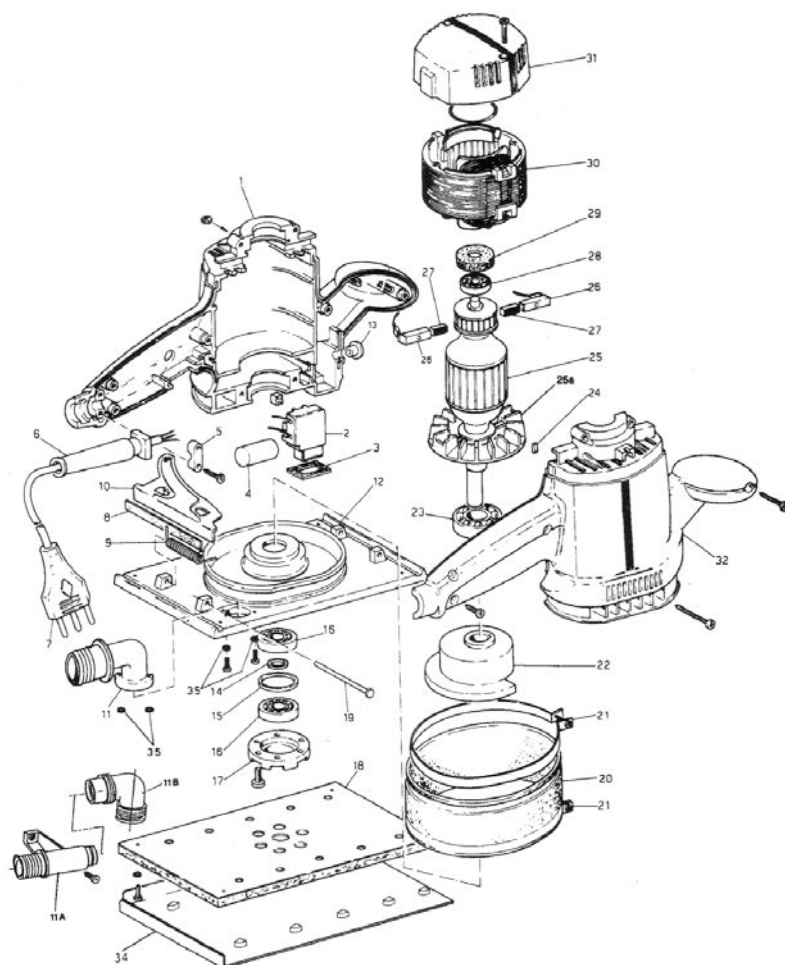
Varnish milling machine – S 381



Pos.	Description	Art. No.
1	Gear box case	31 3050
3, 4	Handle	31 3052
6	Ring gear with pinion	31 3502
14	Rotor, 230 V	31 3505
19	Field coil, 230 V	31 3506
32	Protection flap	31 3053
35	Flange with spindle	31 3051
37	Screw to regulate the knife-head	31 3048
39	Screw to fix the knife-head	31 3049
40	Knife-head, complete	13 3050
41	Reversing teeth, HW, set of 10 pieces	13 3000
42	Countersunk head screw 5 x 12 mm for reversing teeth	35 1131
47	Switch bar	31 3553
48	Carbon brush, 230 V	31 3512
50	Switch rod	31 3554
51	Switch 220 V	31 3700
55	Cable protection	31 3555
56	Cable with plug type 11, CH	31 5010
	Cable with plug, Schuko D	31 5011
57	Gear box case	31 3057
59	Motor casing	31 3510
61	Suction stub	31 3054
62	Condenser	31 3511
64	All-purpose wrench	27 1920

Year of manufacture until 1999, spare parts while stock lasts!

Orbital sander – S 391

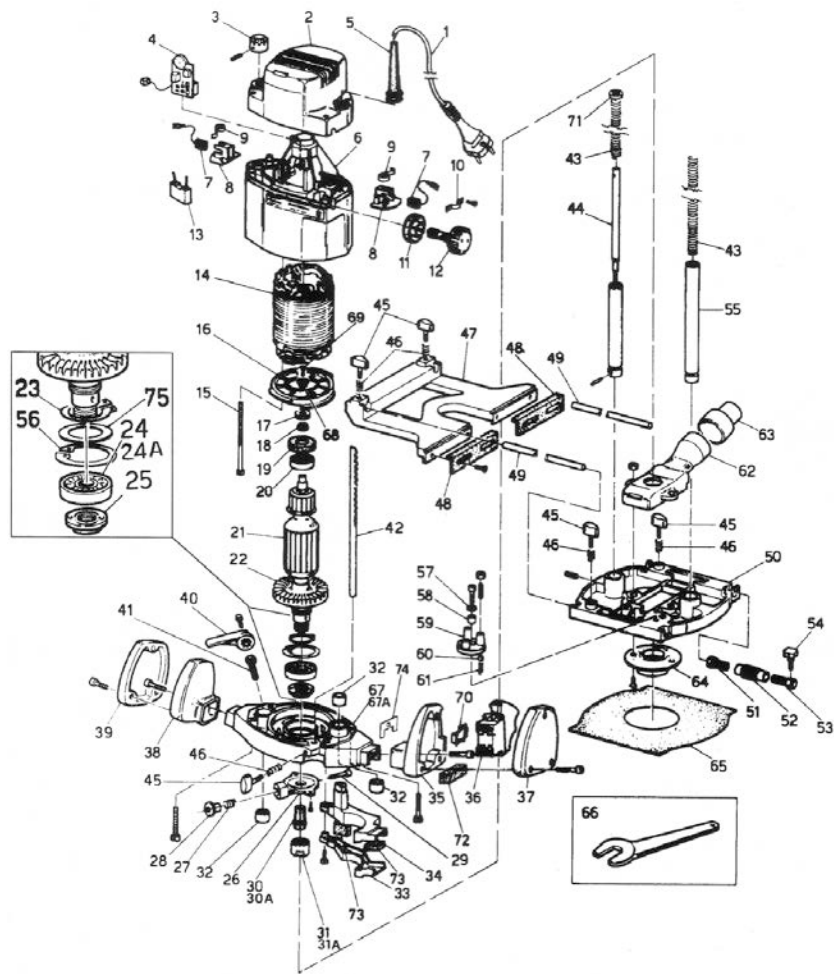


Pos.	Description	Art. No.
	Suction set	12 1840
2	Switch	31 4110
8 – 12, 16, 19	Base plate, 115 x 210 mm	31 4102
11a	Extractor stub	31 4104
18	Sanding plate, 115 x 210 mm	31 4100
23	Rotor, 230 V, without balllager	31 4105
25	Groove ball bearing, 40 x 17 x 12 mm 6203 ZZ	31 9100
27	Carbon brush	31 4112
28	Groove ball bearing, 26 x 9 x 8 mm 629 ZZ	31 4119
30	Field coil, 230 V	31 9101
34	Paper perforator	31 4103

Year of manufacture until 1999, spare parts while stock lasts!



Router – S 393



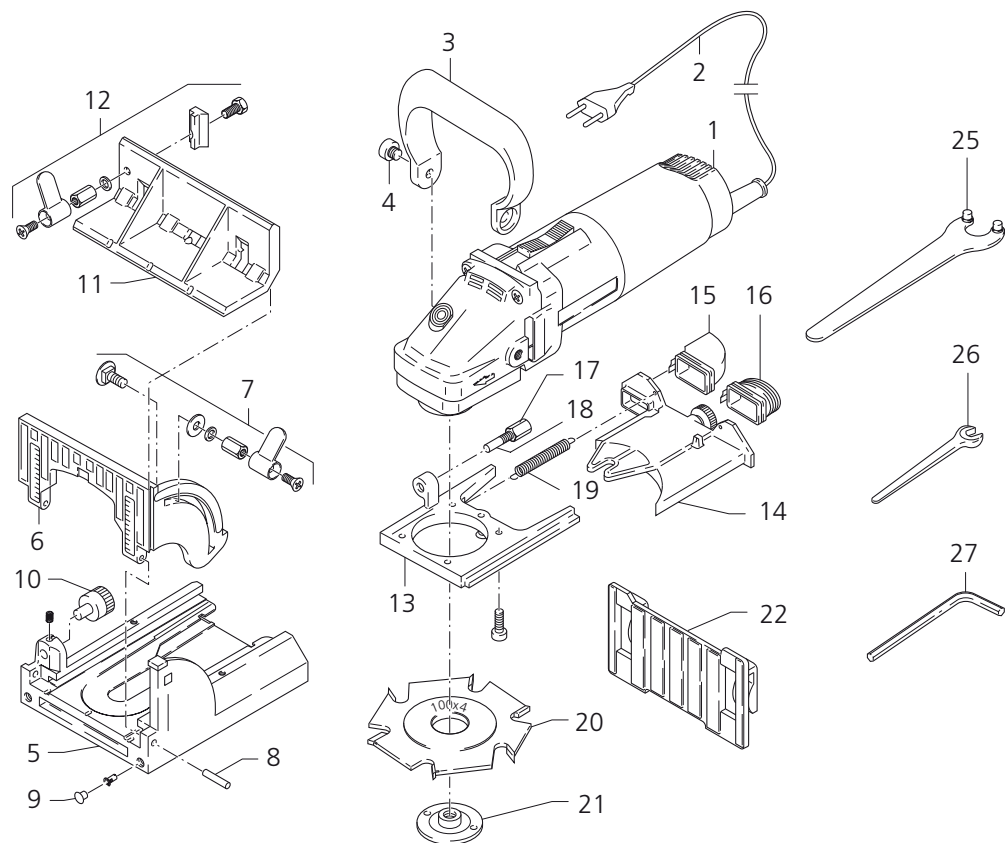
Pos.	Description	Art. No.
4	Electric unity	31 4117
7	Carbon brush	31 4115
8, 9	Stop for carbon brush	31 4118
20	Groove ball bearing, 26 x 9 x 8 mm 629 ZZ	31 4119
21, 22	Rotor	31 4116
24	Groove ball bearing, 47 x 25 x 12 mm 6005 ZR TR13	31 4120
35, 37, 70, 72	Handle	25 1737
36	Switch	31 1702

Year of manufacture until 1999, spare parts while stock lasts!



Biscuit joiner Standard 10 A (6114)

swiss made

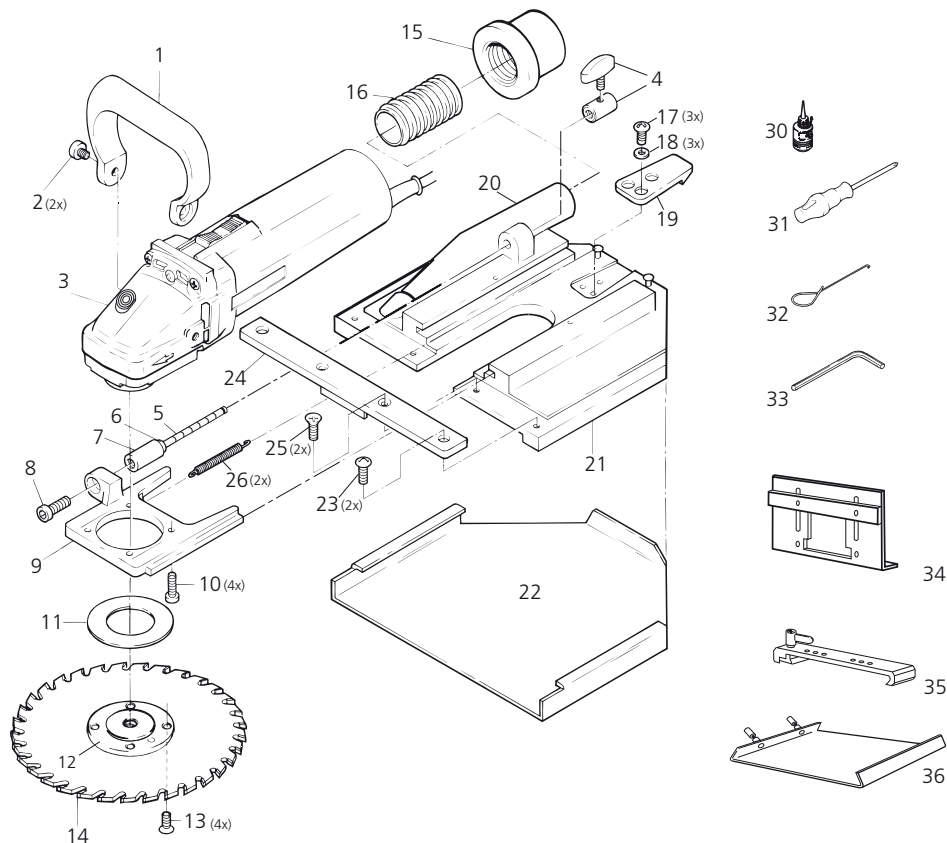


Pos.	Description		Art. No.
1	Electric motor 6114, 230 V	no more available	30 3172
	Electric motor 6114, 110 V	no more available	30 3173
2	Cable with plug, 230 V		31 5010
	Cable with plug, 110 V		31 5012
3	Handle		25 1116
4	Cheese head screw M8 x 12		35 2812
5	Baseplate with swivelling stop		25 1000
6	Swivelling stop, with scale in mm		25 1020
	Swivelling stop, with scale in inches		25 1021
7	Clamping lever		25 1017
8	Hinge bolt		34 1020
9	Anti-slip pad		25 1004
10	Depth adjuster		25 1012
11	Try square		25 1025
12	Clamping jaw		25 1018
13	Guide		25 1030
14	Cassette with central locking		25 1005
15	Deflector stub		33 1005
16	Extractor stub		33 1006
17, 18	Depth adjuster stop		25 1013
19	Tension spring		35 1111
20	HW cutter (100 x 4 x 22 mm)		13 2103
21	Flange M8		31 3118
22	Extension plate 4 mm		25 3022
25	Face spanner		27 1951
26	Fork wrench 8 mm		27 1954
27	Socket-head key 5 mm		27 1953

Year of manufacture until 1998, spare parts while stock lasts!



Multipurpose cutters Tanga 1511 (11150)



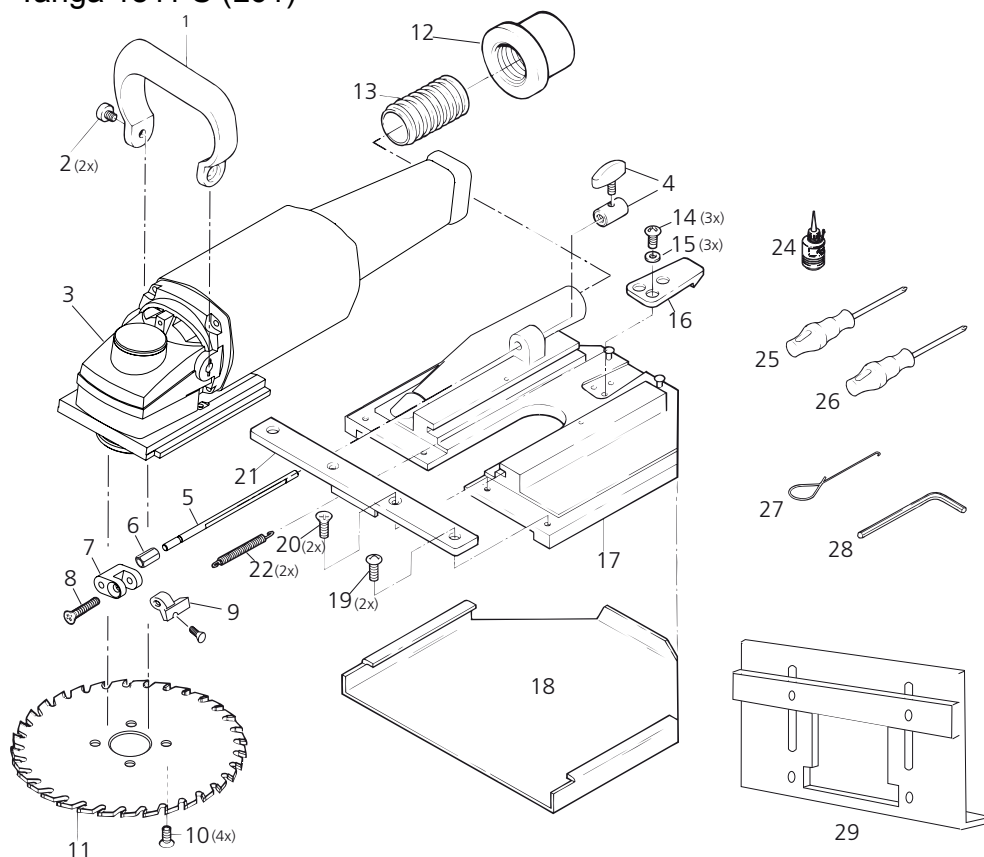
Pos.	Description	Art. No.
1	Handle	25 1116
2	Cheese head screw M8 x 16, zined	35 2812
3	Electric motor 11150 SL, 220 V, CH	no more available
	Electric motor 11150 SL, 220 V, D	no more available
4	Depth adjusting sleeve with clamping screw	25 1414
4-6	Depth adjuster	25 1513
7-10	Guide	25 1210
11	Spacing disc 40 x 22 x 1 mm	32 2501
12, 13	Flange M8	25 2502
14	Saw blade, HW, D 150 mm, Z12	13 2315
15	Reducing piece 54 mm	33 1805
16	Suction hose Vacuflex LW 24 mm	33 1500
17-19	Snap hook	25 1522
17-25	Base plate	25 1517
20	Extractor stub	25 1815
22	Bottom plate	32 1502
23, 24, 25	Sliding guide	25 1519
26	Tension spring	35 1111
30	Oil can	27 1962
31	Cross-head screwdriver	27 1913
32	Wire hook	27 1957
33	Socket-head key 5 mm	27 1953
34	Rabbit stop	25 1510
35	Clamping device	12 1285
36	Slip-on bottom unit	25 1515

Year of manufacture until 2001, spare parts while stock lasts!



Multipurpose cutters

Tanga 1811 S2 (L61 S2),
Tanga 1811 S (L61)

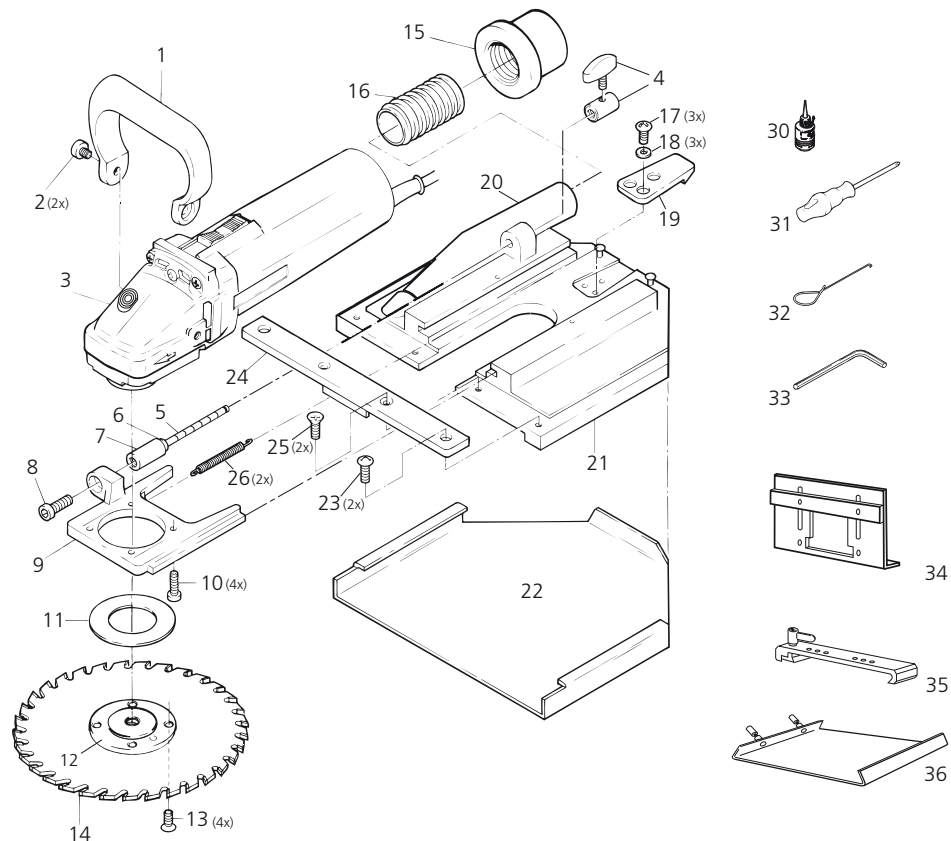


Pos.	Description	Art. No.
1	Handle	25 1016
2	Cheese head screw M8 x 12	35 2812
3	Electric motor, complete, L61 S2, 230 V, CH	for Tanga 1811 S2 30 6101CH
	Electric motor, complete, L61, 230 V, CH	
	Electric motor, complete, L61 S2, 230 V, D	for Tanga 1811 S 30 6101D
	Electric motor, complete, L61, 230 V, D	
4	Depth adjusting sleeve with clamping screw	25 1414
4, 5, 6	Depth adjuster with sleeve and clamping screw	25 1530
7, 8, 9	Holder for depth adjuster, complete	25 1706
10	Countersunk screw M4 x 8 Torx	35 2408T
11	HW-Saw blade (12teeth), 180 x 2.4 x 22, 6 NL	13 2317
	HW-Saw blade (24teeth), 180 x 2.4 x 22, 6 NL	13 2318
	Special HW-Saw blade (24teeth), 180 x 2.4 x 22, 6 NL	13 2319
12	Reducing piece 54 mm	33 1805
13	Suction hose Vacuflex LW 30 mm	33 1520
14, 15, 16	Snap hook with screws	25 1522
14 – 21	Base plate with bottom plate	25 1526
18	Bottom plate stainless	32 1521
19, 20, 21	Sliding guide with screws	25 1521
22	Tension spring 8 x 1 x 58 mm	35 1520
24	Oil for guide	27 1962
25	Cross-head screwdriver	27 1913
26	Torx screwdriver T 20	27 1930
27	Wire hook for tension spring	27 1957
28	Socket-head key 5 mm	27 1953
29	Rabbit stop	25 1525



Multipurpose cutters Tanga 1811 (11150)

swiss made

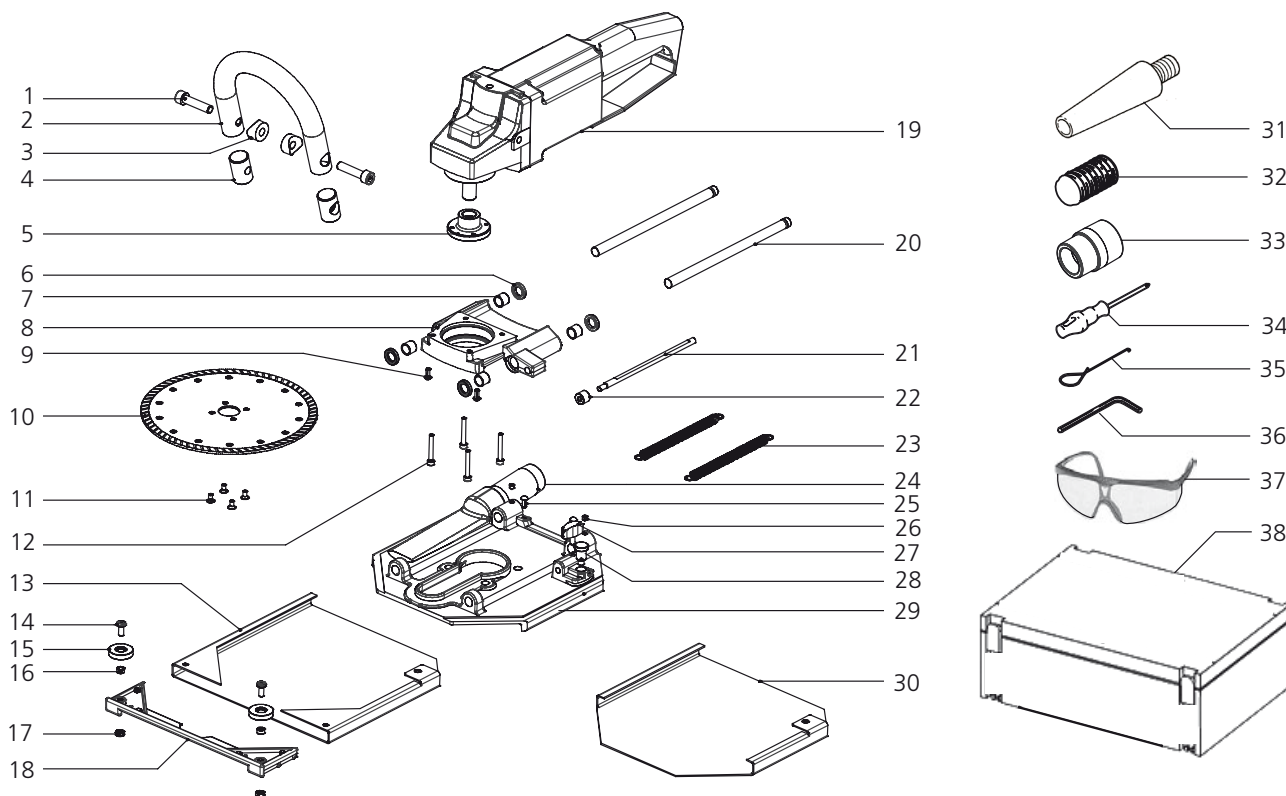


Pos.	Description	Art. No.
1	Handle	25 1116
2	Cheese head screw M8 x 16 zinced	35 2816
3	Electric motor 11150 SL, 220 V, CH	no more available
	Electric motor 11150 SL, 220 V, D	no more available
4	Depth adjusting sleeve with clamping screw	25 1414
4-6	Depth adjuster	25 1523
7-10	Guide	25 1210
11	Spacing disc 40 x 22 x 1 mm	32 2501
12, 13	Flange M8	25 2502
14	Saw blade, HM, D 180 mm, Z12	13 2317
15	Reducing piece 54 mm	33 1805
16	Suction hose Vacuflex LW 30 mm	33 1520
17-19	Snap hook	25 1522
17-25	Base plate	25 1520
22	Bottom plate	32 1521
23, 24, 25	Sliding guide	25 1521
26	Tension spring	35 1520
30	Oil can	27 1962
31	Cross-head screwdriver	27 1913
32	Wire hook	27 1957
33	Socket-head key 5 mm	27 1953
34	Rabbet stop	25 1525

Year of manufacture until 2001, spare parts while stock lasts!

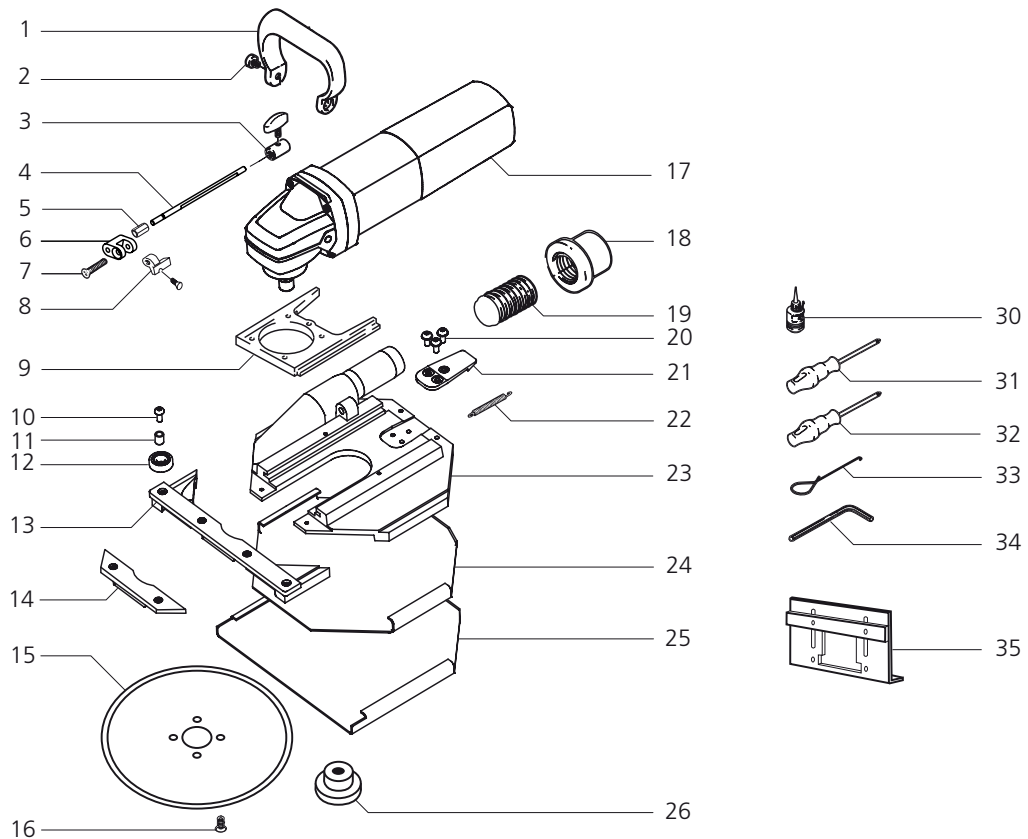


Multipurpose cutters Tanga Delta (L73)



Pos.	Description	Art. No.
1,2,3,4	Handle, complete	25 1552
5	Flange	34 1521
6,7,8,9	Guide skid, complete	25 1551
10	Diamond blade, D 180	13 2519
	Diamond blade segmented, D 180	13 2521
	Diamond blade, D 200	13 2517
	HW-Saw blade, D 180, Z 12	13 2317
	HW-Saw blade, D 180, 24teeth	13 2318
	HW-Saw blade nail resistant, D 180, 24teeth	13 2319
	HW-Saw blade, D 200, Z 12	13 2322
	HW-Saw blade, D 200, 24teeth	13 2320
	HW-Saw blade nail resistant, D 200, 24teeth	13 2321
11	Countersunk screw M4 x 8 Torx, Tuflock	35 2408F
12	Cheese head screw M4 x 30, In-6kt.	35 2430
13	Bottom plate 2 mm	32 1547
14,15,16,17	Role, complete (pair)	25 1554
18	Sliding guide	33 1550
19	Electric motor L73, 230 V, CH	30 7300CH
	Electric motor L73, 230 V, D	30 7300D
20	Guide pins	34 1550
21,22	Depth adjuster	25 1553
23	Tension spring	35 1550
24 – 29	Base plate, complete	25 1550
27	Screw for depth adjustment	35 5510
28	lock pin	35 1551
30	Bottom plate 2 mm, with corners 45°	32 1548
31	Conical connecting piece	33 1803
32	Suction hose Vacuflex LW 30mm, 4.15 m	33 1520
33	Reducing piece 54 / 58 mm	33 1805
34	Screwdriver Torx T20	27 1930
35	Wire hook	27 1957
36	Socket-head key 6 mm	27 1960
37	protective glasses	25 1538
38	Wooden box	25 7060

Multipurpose cutters Tanga Dia M (L70)

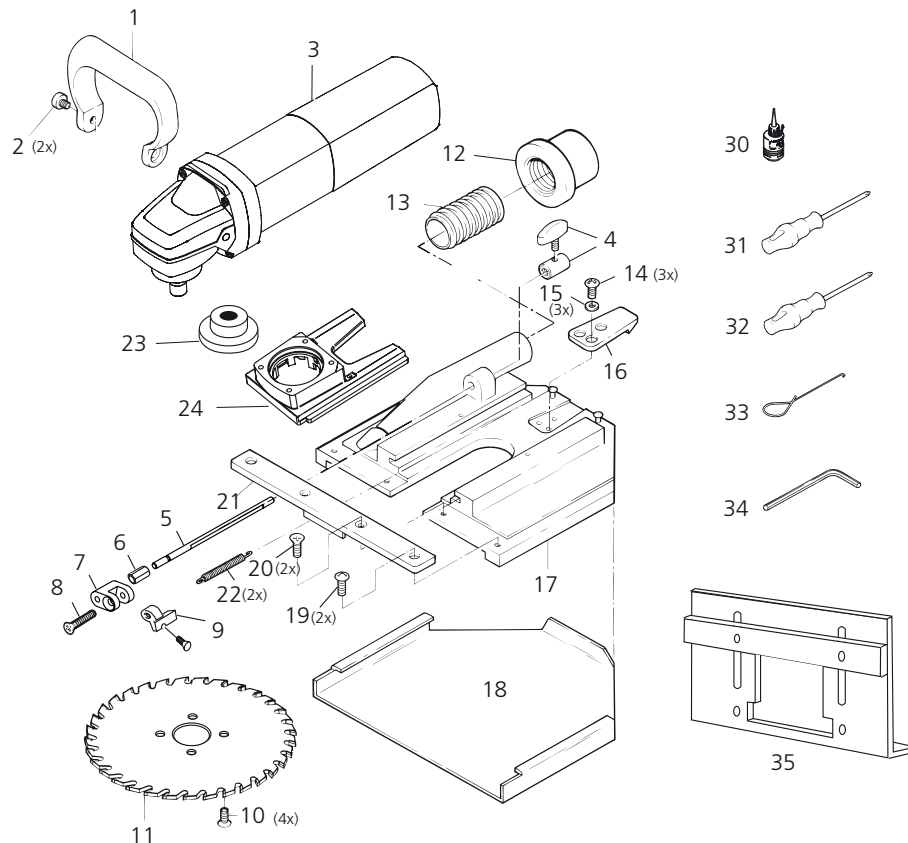


Pos.	Description	Art. No.
1	Handle	25 1016
2	Cheese head screw M8 x 12	35 2812
3	Depth adjusting sleeve with clamping screw	25 1414
3, 4, 5	Depth adjuster with sleeve and clamping screw	25 1530
6, 7, 8	Holder for depth adjuster, complete	25 1706
6, 7, 8, 9	Guide, complete	25 7001
10, 11, 12	Role	25 1536
13	Sliding guide with screws	25 1524
10 – 14, 20, 21, 23 – 25	Base plate, complete, with 2 Bottom plates	25 1535
14	Sliding guide, short, with screws	25 1537
15	Diamond blade, D 180, B 22.2 mm	13 2518
	Diamond blade segmentiert, D 180, B 22.2 mm	13 2520
	HM-Saw blade (24teeth), 180 x 2.4 x 22, 6 NL	14 2318
16	Countersunk screw M4 x 8 Torx	35 2408T
17, 8, 9	Electric motor, complete, with guide and flange L70, 230 V	30 7001CH
	Electric motor, complete, with guide and flange L70, 230 V	30 7001D
18	Reducing piece 54 mm	33 1805
19	Suction hose Vacuflex LW 30 mm	33 1520
20, 21	Snap hook with screws	25 1522
22	Tension spring 8 x 1 x 58 mm	35 1520
24	Bottom plate, with corners 45°	no more available 32 1535
25	Bottom plate	32 1521
26	Flange	25 7002
30	Oil for guide	27 1962
31	Cross-head screwdriver	27 1913
32	Torx screwdriver T 20	27 1930
33	Wire hook	27 1957
34	Socket-head key 5 mm	27 1953
35	Rabbit stop	25 1525



Multipurpose cutters Tanga Swiss (L70)

swiss made

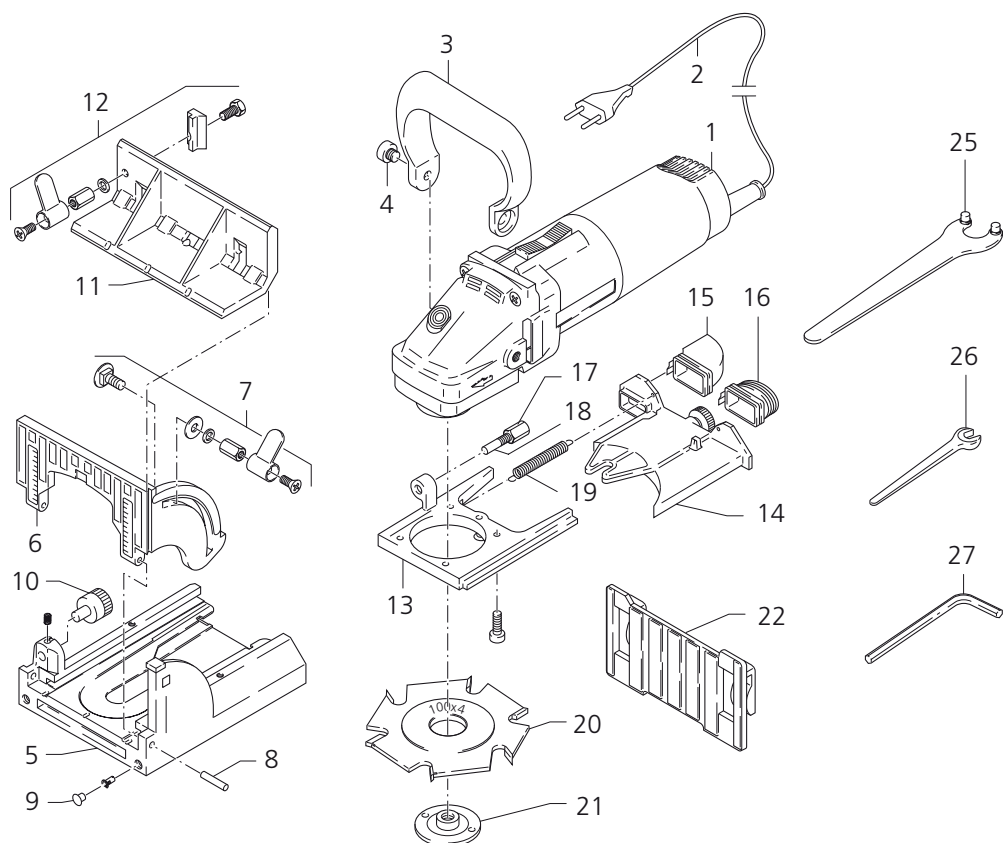


Pos.	Description	Art. No.
1	Handle	25 1016
2	Cheese head screw M8 x 12	35 2812
3, 23, 24	Electric motor, complete, 230 V motor, gear unit, guide	30 7001
3.1	Carbon brush automatic stopping motion 230 V	31 7006
4	Depth adjusting sleeve with clamping screw	25 1414
4, 5, 6	Depth adjuster with sleeve and clamping screw	25 1530
7, 8, 9	Holder for depth adjuster, complete	25 1706
10	Countersunk screw M4 x 8 Torx	35 2408T
11	HW-Saw blade Z 12, 180 x 2.4 x 22, 6 NL	13 2317
	HW-Saw blade (24teeth), 180 x 2.4 x 22, 6 NL	13 2318
	Special HW-Saw blade (24teeth, negative cutting angle) 180 x 2.4 x 22, 6 NL	13 2319
12	Reducing piece 54 mm	33 1805
13	Suction hose Vacuflex LW 30 mm	33 1520
14, 15, 16	Snap hook with screws	25 1522
14 - 21	Base plate with bottom plate	25 1532
18	Bottom plate stainless	32 1521
19, 20, 21	Sliding guide with screws	25 1521
22	Tension spring 8 x 1 x 58 mm	35 1520
23	Flange with screws	25 7002
24	Guide, complete	25 7001
30	Oil for guide	27 1962
31	Cross-head screwdriver	27 1913
32	Torx screwdriver T 20	27 1930
33	Wire hook for tension spring	27 1957
34	Socket-head key 5 mm	27 1953
35	Rabbit stop	25 1525



Biscuit joiner Top 10 (7115 SL)

swiss made



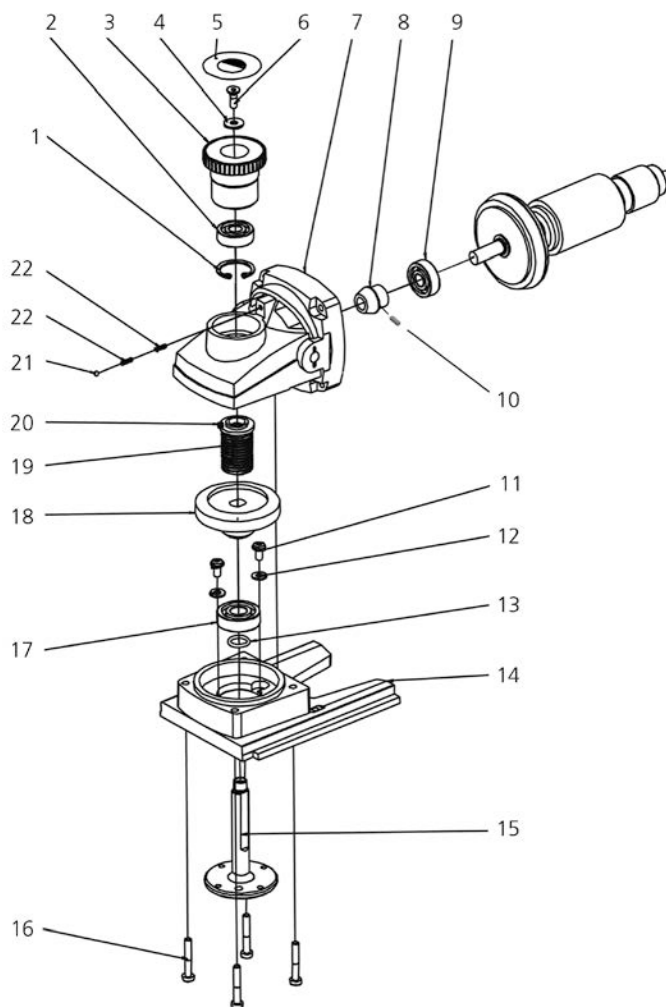
Pos.	Description	Art. No.
1	Electric motor 7115 SL, 230 V	no more available 30 3152
	Electric motor 7115 SL, 110 V	no more available 30 3153
2	Cable with plug, 230 V	31 5010
	Cable with plug, 110 V	31 5012
3	Handle	25 1016
4	Cheese head screw M8 x 12	35 2812
5	Baseplate with swivelling stop	no more available 25 1000
6	Swivelling stop, with scale in mm	25 1020
	Swivelling stop, with scale in inches	25 1021
7	Clamping lever	25 1017
8	Hinge bolt	34 1120
9	Anti-slip pad	25 1004
10	Depth adjuster	25 1012
11	Try square	25 1025
12	Clamping jaw	25 1018
13	Guide	25 1010
14	Cassette with central locking	25 1005
15	Deflector stub	33 1005
16	Extractor stub	33 1006
17, 18	Depth adjuster	25 1013
19	Tension spring	35 1111
20	HW cutter (100 x 4 x 22 mm)	13 2103
21	Flange M8	31 3118
22	Extension plate 4 mm	25 3022
25	Face spanner	27 1951
26	Fork wrench 8 mm	27 1954
27	Socket-head key 5 mm	27 1953

Year of manufacture until 1998, spare parts while stock lasts!



Biscuit joiner – Height adjustment

Top 20 S4, Top 20 S3, Top 20 S2, Top 20 2, Top, Variocut



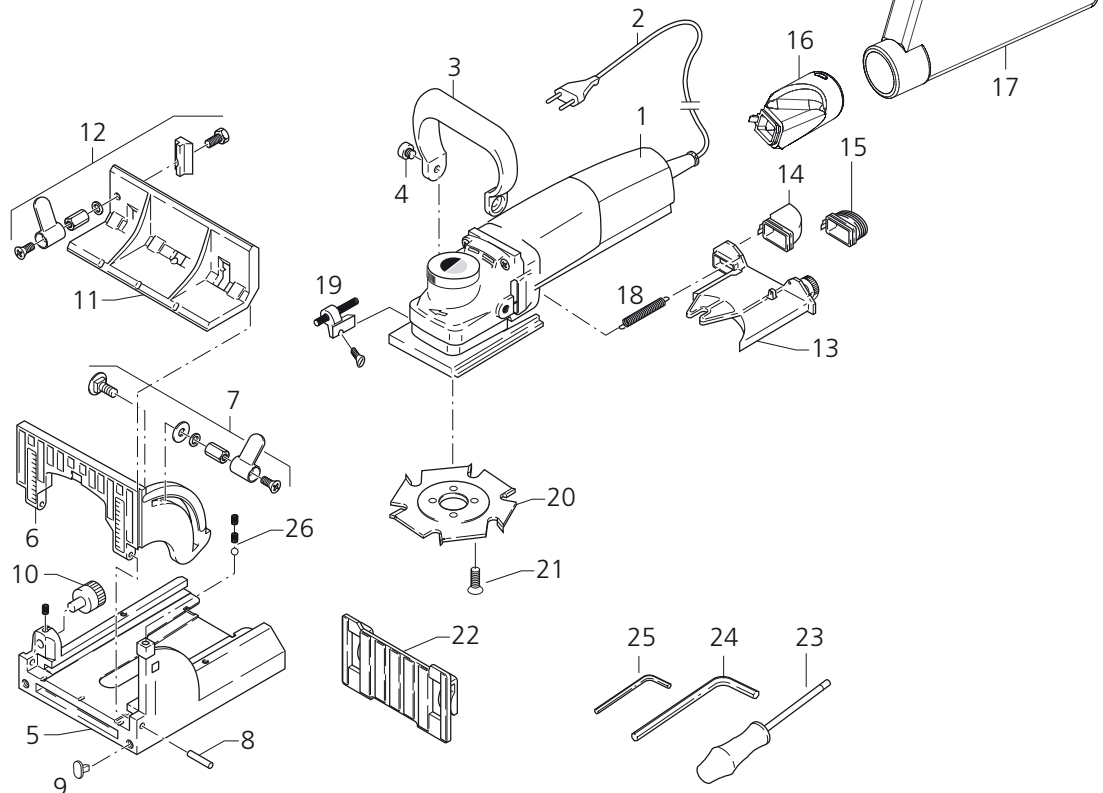
Pos.	Description	Art. No.
1	Safety ring for drilling d 22	35 1044
2	Groove ball bearing 608 ZZ	31 3215
3	Set screw	34 1046
4, 6	Groove ball bearing	31 4045
5	Height scale	32 1057
7	Gear box case for	L44 31 4425
8	Pinion	Top 20 S4 / L44 E 31 4463
8, 18	Ring gear + pinion spiral-toothed	Top 20 S4 / L44 E 31 4442
8, 10, 18	Ring gear + pinion spiral-toothed	Top 20 S4 / L44 31 6031
8, 18	Ring gear + pinion spiral-toothed	Top 20 S2 / S3 31 4324
8, 18	Ring gear + pinion spiral-toothed	Top 20 / S 31 4041
9	Groove ball bearing 6000-2RS	31 3211
11, 12, 13, 14, 17	Guide, complete	25 4301
15	Milling spindle	34 1050
18	Ring gear with helical toothing	Top 20 S4 / L44 E 31 4441
18	Ring gear with helical toothing	Top 20 S2 / S3 31 6032
18	Pinion straight-tooth	Top 20 / S 31 4044
19, 20	Disk spring with spacing disk	31 4042
21, 22	Ball and springs for height adjustment	31 4043
23	Relay	L40 / L43 32 1041
24	Hex-socket set screw M8 x 10 (60°- cone point)	35 7811



Biscuit joiner

Top 20 S4 (L44E), Top 20 S3 (L43 S3),
Top 20 S2 (L43 S2), Top 20 S2 (L43),
Top 20 (L40)

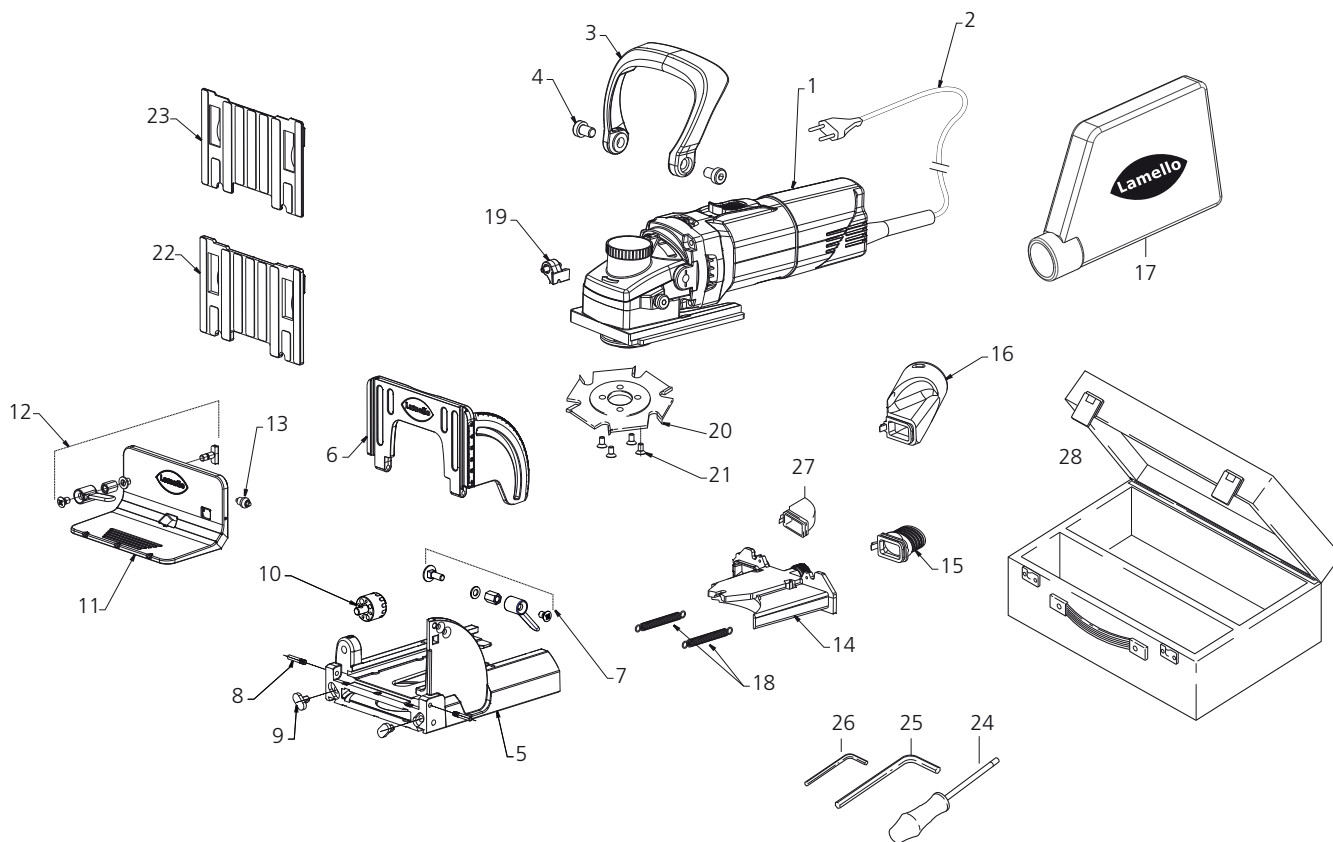
swiss made



Pos.	Description	Art. No.
1	Electric motor L44, complete, with guide 230 V, D	30 4415D
	Electric motor L44, complete, with guide 230 V, CH	30 4415CH
	Electric motor L44, complete, with guide 120 V, USA	30 4415US
	Electric motor L44, complete, with guide 240 V, GB	30 4415GB
2	Cable with plug, 230 V, D	31 5011
	Cable with plug, 230 V, CH	31 5010
	Cable with plug, 120 V, USA	31 5012
	Cable with plug, 240 V, AUS	31 5013
3	Handle	25 1016
4	Cheese head screw M8 x 12	35 2812
5, 6, 7, 10	Baseplate with swivelling stop, with scale in mm	25 1050
6	Swivelling stop, with scale in mm	25 1052
7	Clamping lever	25 1017
8	Hinge bolt	34 1020
9	Anti-slip pad	33 1050
10	Depth adjuster	25 1012
11	Stop square	25 1054
12	Clamping jaw	25 1018
13	Cassette with central locking	25 1055
14	Guide stub	33 1005
15	Suction stub	33 1006
16	Adapter 36 mm	33 1007
17	Dust bag	33 7530
16, 17	Dust bag, complete	25 7530
18	Tension spring	35 1110
19	Stop for depth adjuster	25 4051
20	HW cutter (100 x 4 x 22 mm)	13 2000
21	Countersunk screw M4 x 8 Torx	35 2408T
22	Thickness plate 4 mm	25 3024
23	Screwdriver Torx TX20	27 1930
24	Allen key 5 mm	27 1953
25	Allen key 2 mm	27 1942
26	ball set to swivelling stop	25 4052



Biscuit joiner Top 21

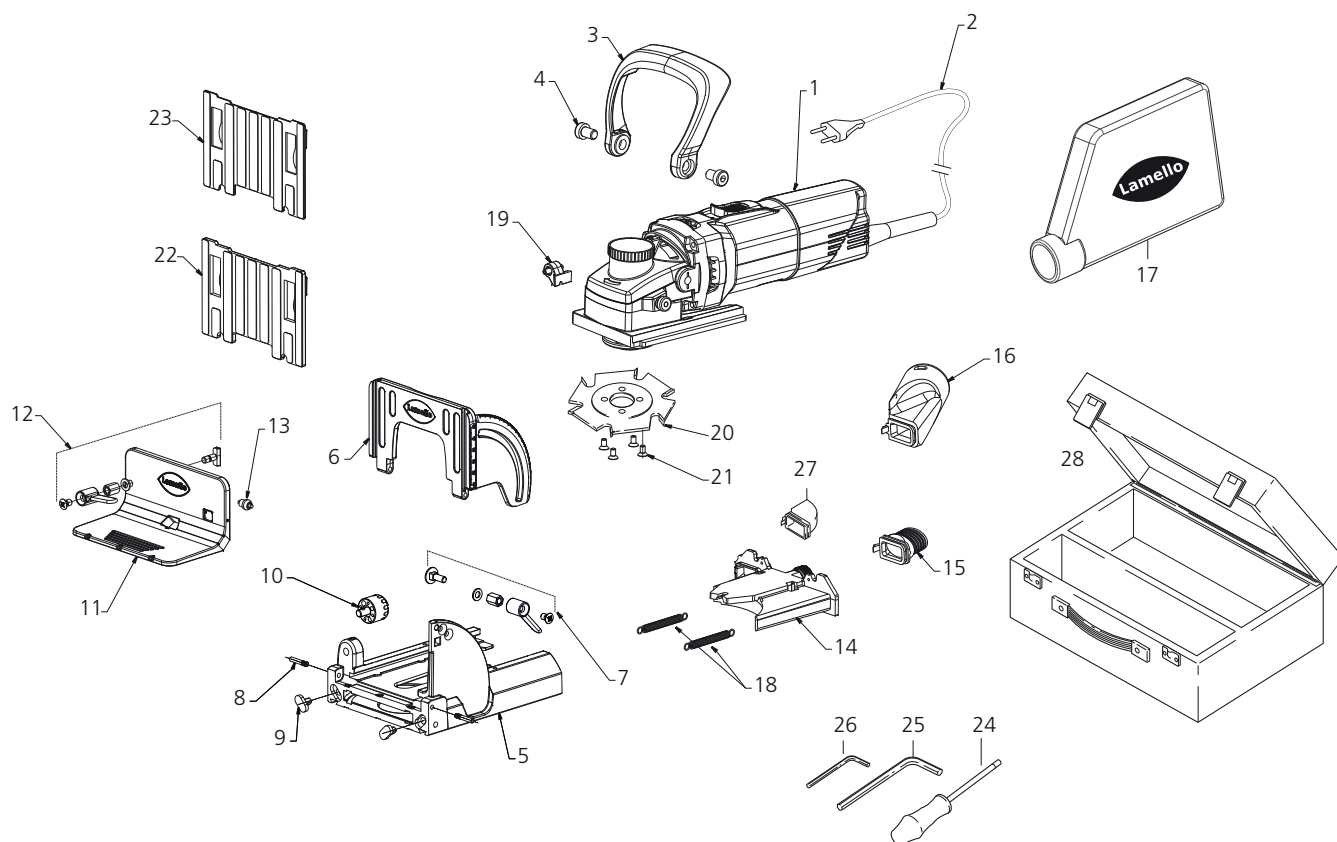


Pos.	Description	Art. No.
1	Electric motor L44 E, complete, with guide and height adjustment 230 V, D	30 4415D
	Electric motor L44 E, complete, with guide and height adjustment 230 V, CH	30 4415CH
	Electric motor L44 E, complete, with guide and height adjustment 120 V, US	30 4415US
	Electric motor L44 E, complete, with guide and height adjustment 240 V, GB	30 4415GB
	Electric motor L44 E, complete, with guide and height adjustment 240 V, AU	30 4415AU
2	Cable with plug, 230 V, D	31 5011
	Cable with plug, 230 V, CH	31 5010
	Cable with plug, 120 V, US	31 5012
	Cable with plug, 240 V, GB	31 5014
	Cable with plug, 240 V, AU	31 5013
3	Handle	25 1015
4	Cheese head screw M8 x 12	35 2812
5, 6, 7, 8, 9, 10	Baseplate with swivelling stop, scale in mm, for Top21	25 7571
6	Swivelling stop, mm	25 1042
7	Clamping lever for swivelling stop	25 1047
8	Hinge bolt	34 1020
9	Anti-slip pad	33 1050
10	Depth adjuster	25 1012
11, 12, 13	Stop square	25 1044
12	Clamping jaw with clamping lever	25 1046
13	roll for stop square	25 1049
14	Cassette with central locking	25 1055
15	Suction stub	33 1006
16	Suction adapter 36 mm	33 1007
17	Dust bag	33 7530
16, 17	Dust bag, complete	25 7530

to be continued



Biscuit joiner Top 21

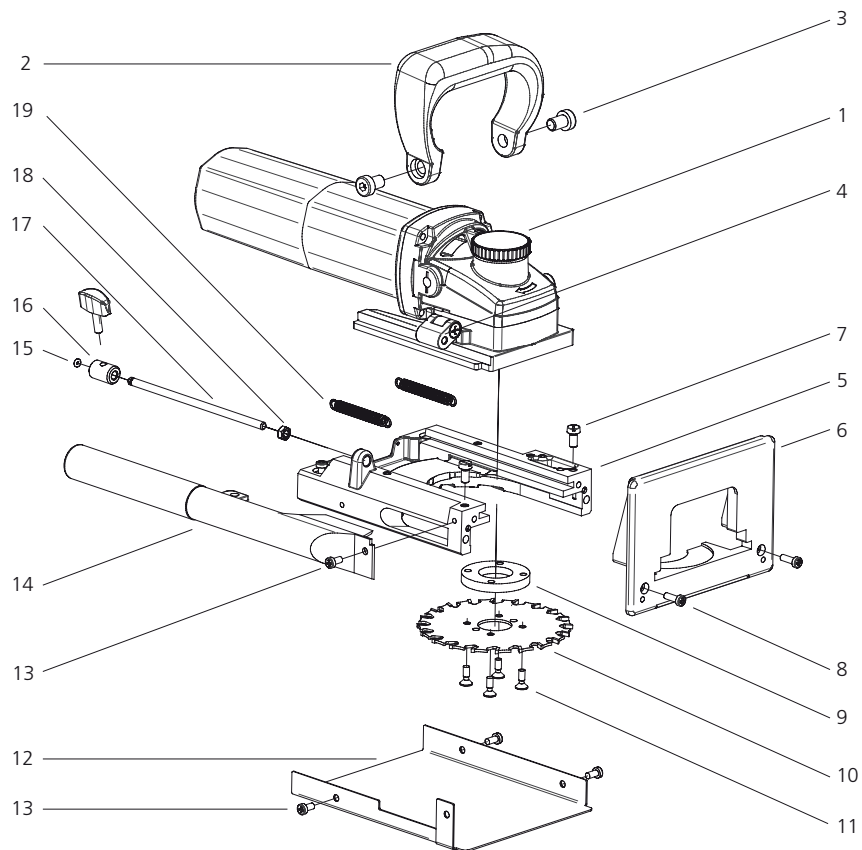


Pos.	Description	Art. No.
18	Tension spring (piece)	35 1110
19	Stop for depth adjuster	25 4051
20	Carbide tipped cutter (100 x 4 x 22 mm)	13 2000
21	Countersunk screw M4 x 8 Torx	35 2408T
22	Spacer 4 mm	25 3026
23	Spacer 2 mm	25 3023
24	Screwdriver Torx TX20	27 1930
25	Allen key 5 mm	27 1953
26	Allen key 2 mm	27 1942
27	Deflector stub	33 1005
28	Wood case	25 7050
	Systainer size III	36 0002



Multipurpose cutters Variocut (L44)

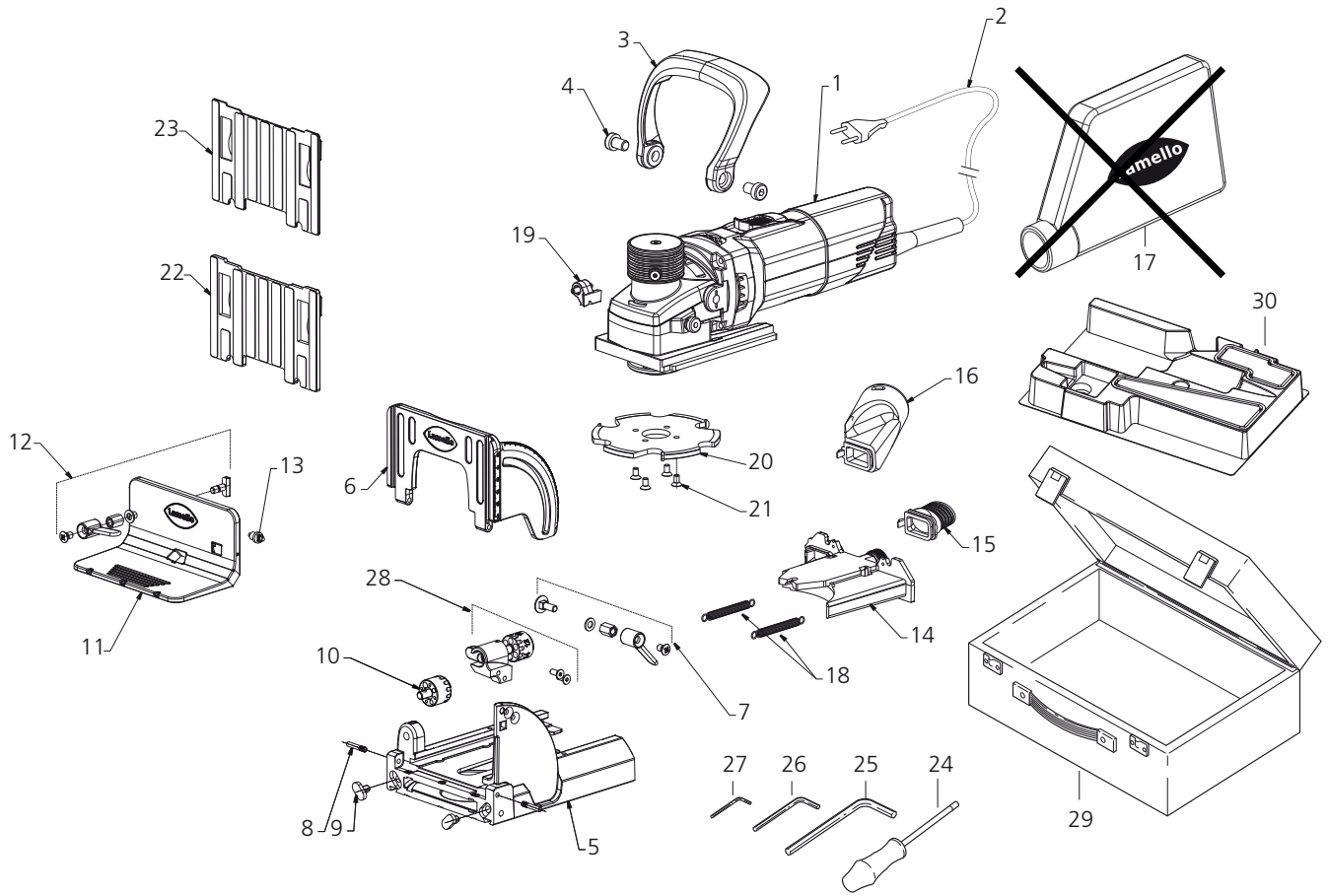
swiss made



Pos.	Description	Art. No.
1	Electric motor L44, complete, with guide 230 V, CH	30 4450CH
	Electric motor L44, complete, with guide 230 V, D	30 4450D
2	Handle	25 1016
3	Cheese head screw	35 2816
4	Holder for depth adjuster, complete	25 1706
5	Base plate	25 1450
6, 8	Front plate	25 1322
7	Cheese head screw M5 x 10, cross-head	35 2510
9	Distanzflansch	34 1450
10	HW-Saw blade Ø 100, Z20	13 2301
11	Countersunk screw M4 x 12	35 2404
12	Bottom plate	32 1450
13	Screw M4 x 8	35 2414
14	Extractor stub	28 1804
15, 16, 17, 18	Depth adjuster, complete	25 1512
19	Tension spring	35 1110



Biscuit joiner
Zeta, Zeta P2

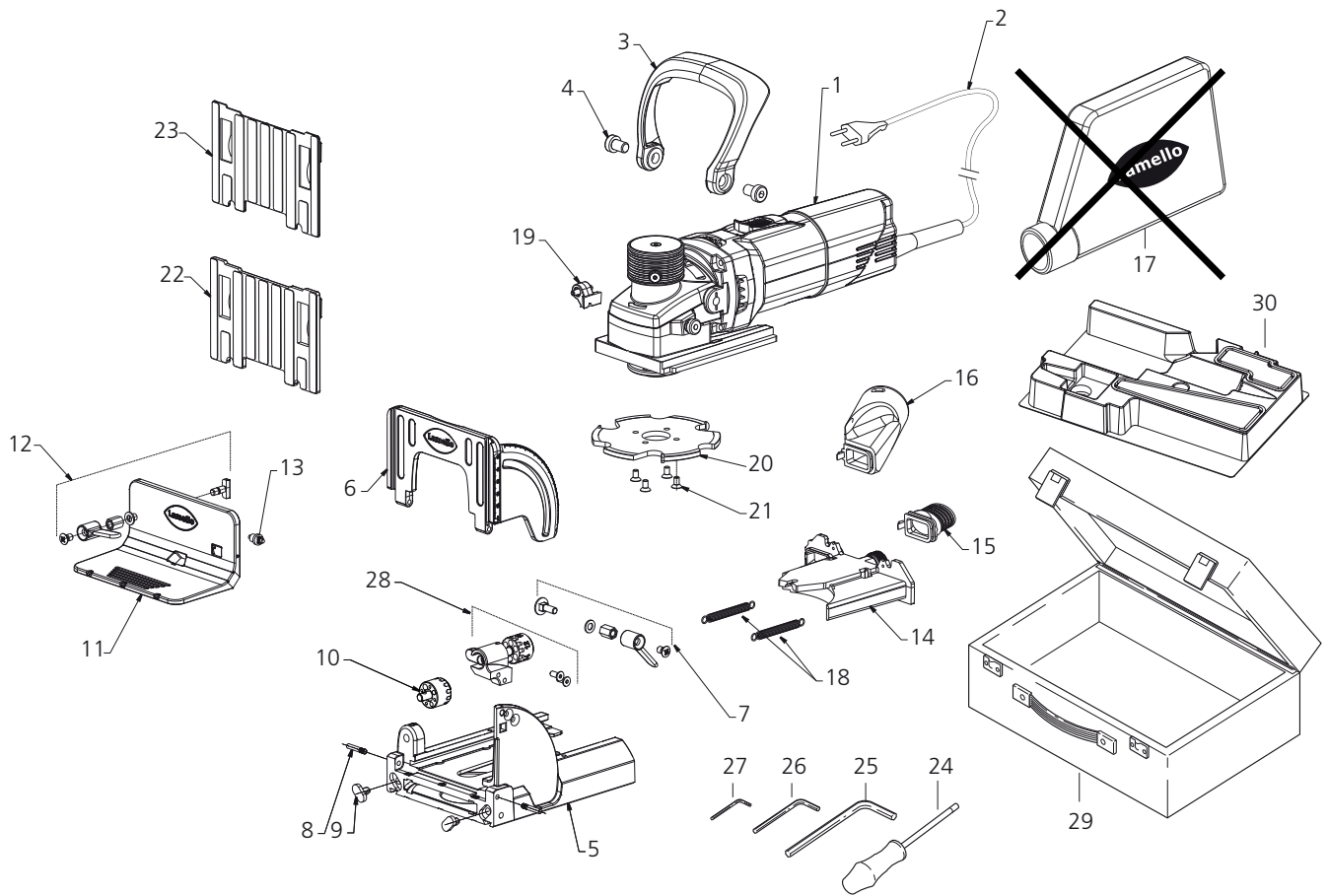


Pos.	Description	Art. No.
1	Electric motor L44 EZ, complete, with guide and vertical mechanical drive (VMD) 230 V, D	30 4440D
	Electric motor L44 EZ, complete, with guide and vertical mechanical drive (VMD) 230 V, CH	30 4440CH
	Electric motor L44 EZ, complete, with guide and vertical mechanical drive (VMD) 120 V, US	30 4440US
	Electric motor L44 EZ, complete, with guide and vertical mechanical drive (VMD) 240 V, GB	30 4440GB
	Electric motor L44 EZ, complete, with guide and vertical mechanical drive (VMD) 240 V, AU	30 4440AU
2	Cable with plug, 230 V, D	31 5011
	Cable with plug, 230 V, CH	31 5010
	Cable with plug, 120 V, US	31 5012
	Cable with plug, 240 V, GB	31 5014
	Cable with plug, 240 V, AU	31 5013
3	Handle	25 1015
4	Cheese head screw M8 x 12	35 2812
5, 6, 7, 8, 9, 10, 28	Baseplate with swivelling stop for Zeta, mm	25 1040
6	Swivelling stop, mm	25 1042
7	Clamping lever complet for swivelling stop	25 1047
8	Hinge bolt	34 1020
9	Anti-slip pad	33 1050
10	Depth adjuster	25 1012
11, 12, 13	Stop square	25 1044
12	Clamping jaw with clamping lever for stop square	25 1046
13	Roll for stop square	25 1049
14	Cassette with central locking	25 1055
15	Suction stub	33 1006
16	Adapter 36 mm	33 1007
17	Dust bag	only use with dust extraction
18	Tension spring (piece)	35 1110
19	Stop for depth adjuster	25 4051

to be continued



Biscuit joiner Zeta, Zeta P2



Pos.	Description	Art. No.
20	P-System cutter, carbide tipped (100.9 x 7 x 22, Z3)	13 2141
	P-System cutter, diamond tipped (100.4 x 7 x 22, Z3)	13 2140
21	Countersunk screw M4 x 8 Torx	35 2408T
22	Spacer 4 mm	25 3026
23	Spacer 2 mm	25 3023
24	Screwdriver Torx TX20	27 1930
25	Allen key 5 mm	27 1953
26	Allen key 3 mm	27 1961
27	Allen key 2 mm	27 1942
28	P-System depth adjuster	25 1045
29	Wood case	25 7055
30	Plastic inlay	36 0010



More biscuit joining machines

Dynamic	Description	Art. No.
	Anti-slip pads, complete	25 1004
	Depth adjuster	25 1012
	Clamping lever for Swivelling stop	25 1017
	Clamping jaw with clamping lever	25 1018
	Cassette with Central locking	25 3005
	Guide	25 3010
	Extension plate 4 mm KS	25 3022
	Dust bag adapter	28 3035
	Groove ball bearing	31 3211
	Deflector stub	33 1005
	Extractor stub	33 1006
	Tension spring	35 1111
	Special accessories	
	Extension plate 2 mm	25 1023
	Battery charger, 1 hour,	31 3002
	Rapid battery charger, 10 min.,	31 3006

Year of manufacture until 1997, spare parts while stock lasts!

Top	Description	Art. No.
	Handle	25 1016
	Angle piece with screws	25 1118
	Clamping lever, complete	25 1119
	Tip with spring	25 1121
	Try square	25 1125
	Front plate	25 1321
	Extension plate 4 mm	25 3022
	Extension plate 2 mm	25 3028
	Ring nut	34 1112
	Tension spring	35 1111
	Screws for handle	35 2812
	Motor parts	
	Groove ball bearing 6200 Z	31 3210
	Groove ball bearing 627 Z	31 3212
	Switch	31 3700
	Condenser	31 3114
	Gear box case	31 3121
	Flange M8	31 3118

Year of manufacture until 1988, spare parts while stock lasts!



More special machines

Plano 6114	Description	Art. No.
	Base plate	25 1810
	Guide	no more available 25 1812
	Front protection	25 1822
	Milled nut, M6 x 10	25 1825
	Adjusting screw, M8 x 80	25 1826
	Extractor stub	33 1824
	Retracting spring	35 1862
	Special accessories	
	Wooden box	no more available 25 7118

Year of manufacture until 2000, spare parts while stock lasts!

3S	Description	Art. No.
	Handle	25 1116
	Guide	25 1210
	Front plate KS	25 1322
	Depth adjuster	25 1412
	Depth adjusting sleeve with clamping screw	25 1414
	Base plate	25 1417
	Extractor stub LMA-74 with screws	28 1804
	Tension spring	35 1111
	Special accessories	
	Wooden box	no more available 25 7107

Year of manufacture until 2003, spare parts while stock lasts!

3S Pa	Description	Art. No.
	Handle	25 1116
	Guide	25 4552
	Front plate KS	25 1322
	Depth adjuster	25 1412
	Depth adjusting sleeve with clamping screw	25 1414
	Base plate	25 1420
	Extractor stub LMA-74 with screws	28 1804
	Tension spring	35 1111
	Special accessories	
	Wooden box	no more available 25 7107

to be continued



More special machines

Tanga 150	Description	Art. No.
	Handle	25 1116
	Guide, nickelled	25 1210
	Depth adjusting sleeve with clamping screw	25 1414
	Depth adjuster with scale	25 1513
	Base plate with bottom plate	25 1517
	Sliding guide	25 1519
	Snap hook	25 1522
	Extractor stub	25 1815
	Conical connecting piece 24 mm	28 1815
	Suction hose LW 24 mm, je Meter	33 1500
	Tension spring	35 1111
	Special accessories	
	Clamping device for Montage des Kappgeräts Nova	12 1285
	Rabbit stop	25 1510

Year of manufacture until 1993, spare parts while stock lasts!

Perfora P	Description	Art. No.
	End-milling cutter HW 10 x 15 mm	13 1970
	Hose, D 12 mm	25 1953
	Milling device Perfora P	25 1971
	Pins for milling template (pair)	25 1973
	Extractor stub	33 1006
	Conical connecting piece 23 mm	33 1802
	Euro plug nipple	34 1953
	Pressure spring	35 1970
	Special accessories (Perfora E + P)	
	Milling device Perfora E	12 1980
	Milling device Perfora P	12 1981

Rali Cut	Description	Art. No.
	Bow-type handle	25 3030
	Cutting disk 1 mm	13 3020