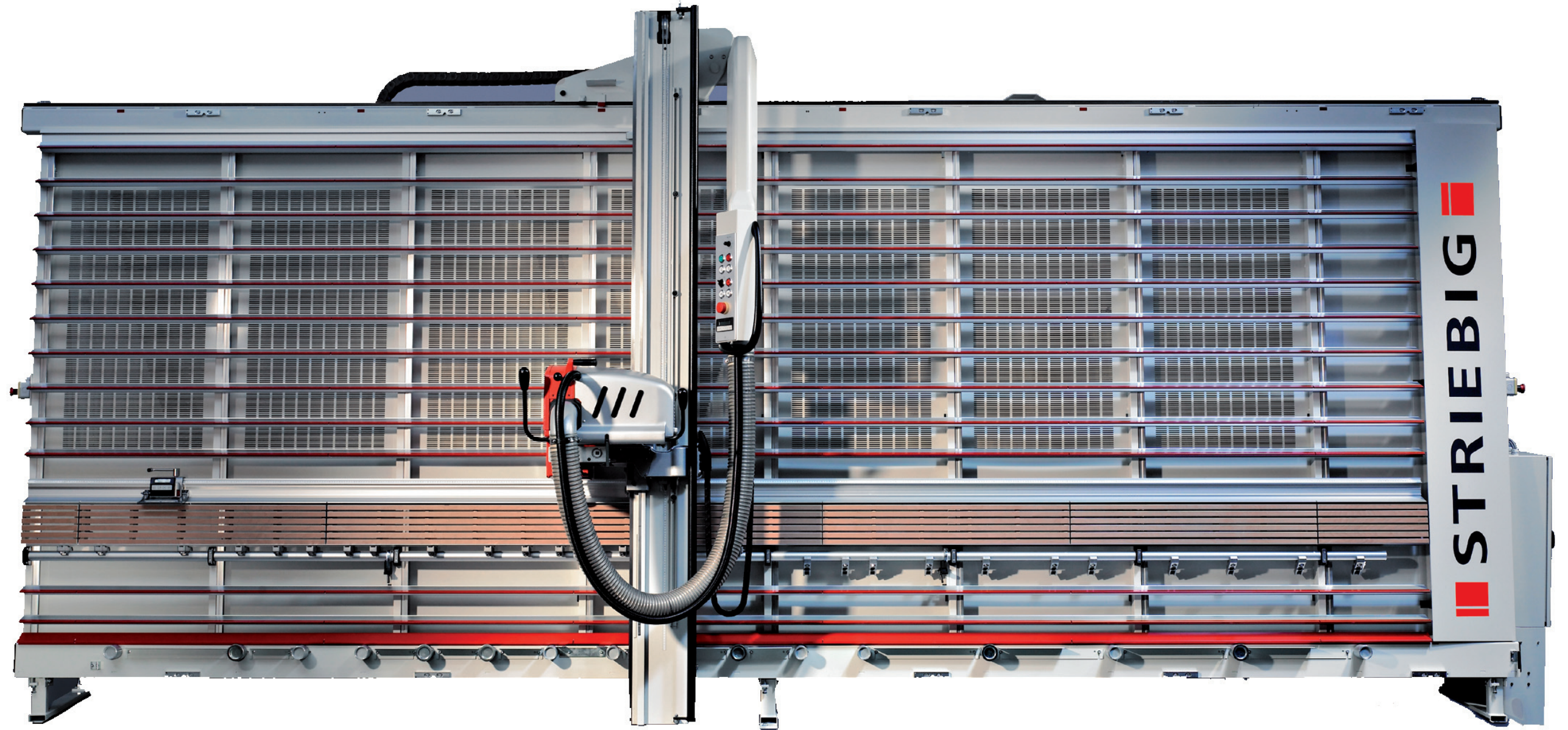




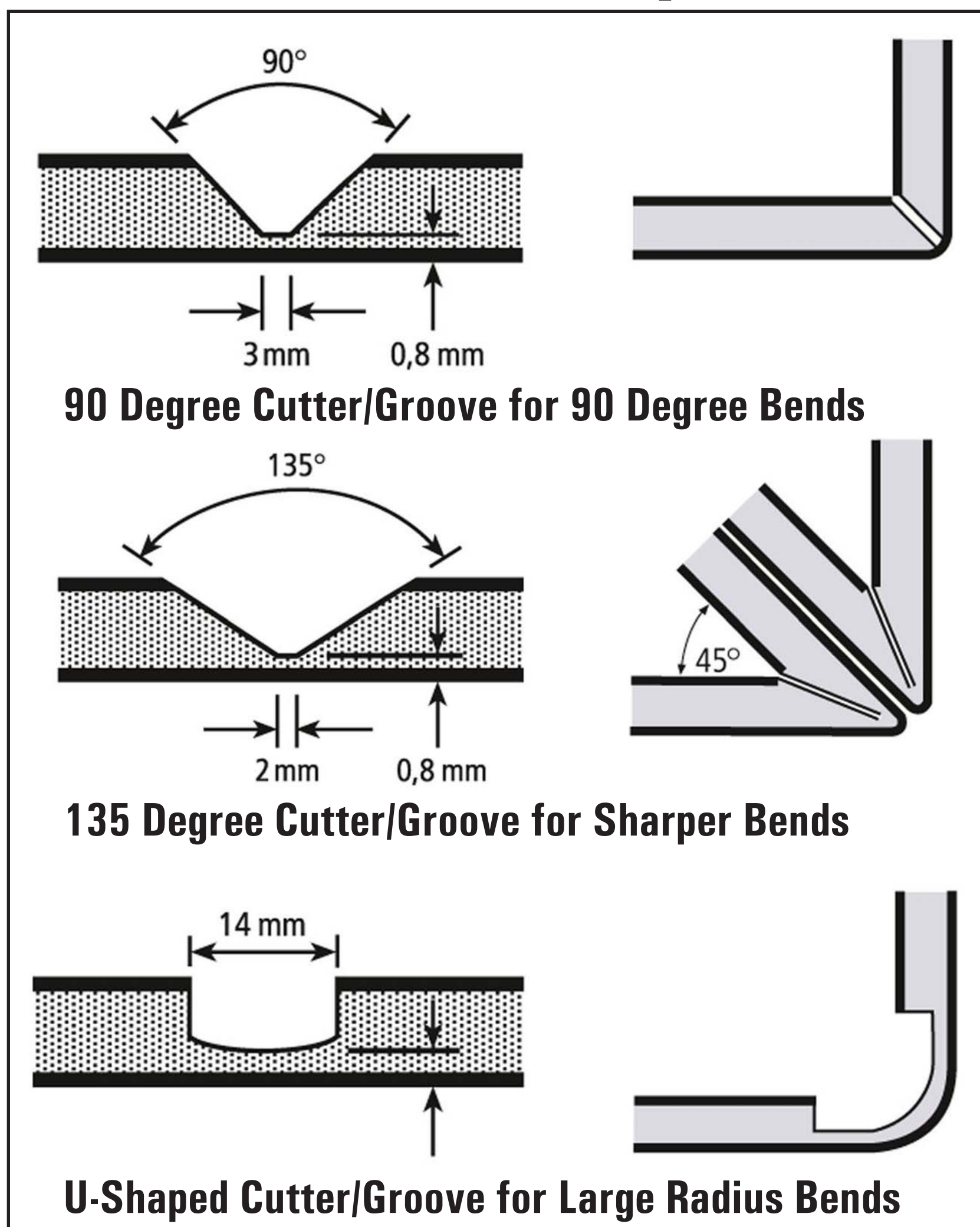
Still Grooving ACM by Hand?

STRIEBIG

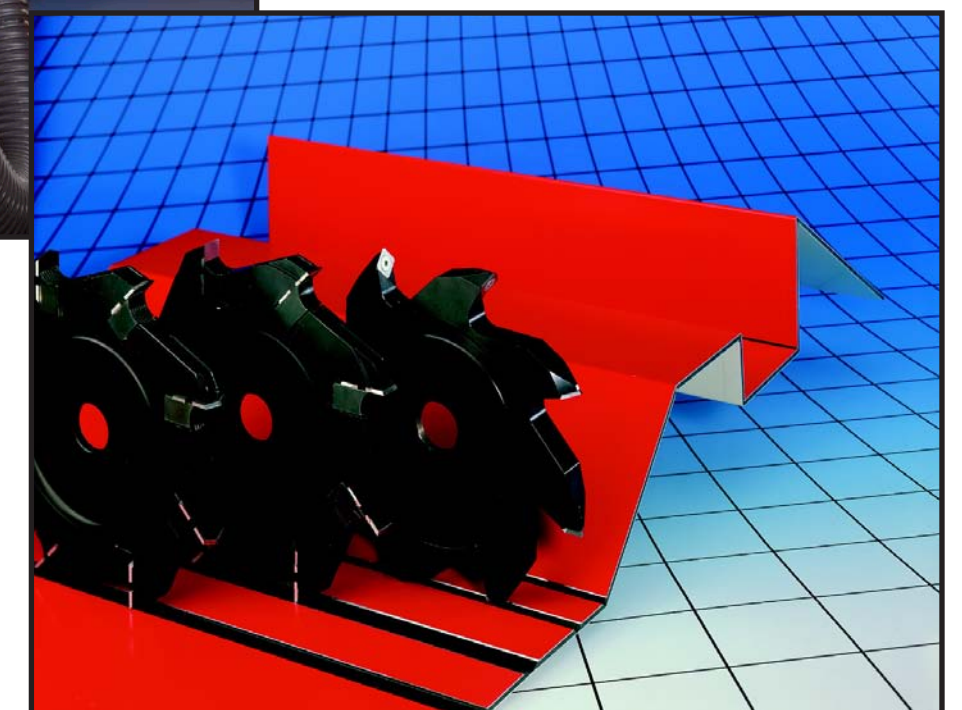
**You Need a
STRIEBIG...**



The Machine Composite Panel Manufacturers Recommend!



**Reversible Carbide
Insert Cutters
to Produce Three
Specific Profile
Details.**



For Perfect Cutting and Grooving, Without Giving Up Valuable Floor Space



www.csaw.com

Join the Growing List of ACM Fabricators Who Are Satisfied STRIEBIG Customers!

Arizona

Kovach Construction,
Chandler

British Columbia

Advanced Glazing,
Richmond

California

Alumawall,
San Jose

American Sheet Metal,
Santee

C.S. Erector Company,
San Leandro

Calcraft Corporation,
Rialto

Couch & Philippi,
Stanton

Emco Glazing,
Sacramento

Gutmann USA,
Corona

LHL Construction,
Roseville

Rankin & Rankin,
Roseville

Sign Development,
Upland

SW Equipment,
Sacramento

Connecticut

MRS Enterprises,
Plainville

Florida

Dennis Fredette, Co.,
Sarasota

Georgia

Frey-Moss Structures,
Conyers

Madison Industries,
Conyers

Miller-Clapperton,
Austell

Indiana

SPS Corporation,
Fort Wayne

TFC Canopy,
Ashley

Kansas

Fashion, Inc.,
Ottawa

Kentucky

Alcan Composites USA,
Benton

Massachusetts

Advanced Metal Systems,
Holliston

Bass Associates
Lynn

Ipswich Bay Glass,
Rowley

Karas & Karas,
South Boston

Madison Associates,
Revere

Salem Glass,
Salem

Sunrise Erectors,
Canton

Weston Arch. Products,
N. Oxford

Maryland

Columbia Arch. Products,
Beltsville

Harmon, Inc.,
Glen Burnie

Minnesota

Interclad, Inc.,
Plymouth

M.G. McGrath,
Saint Paul

Quality Metalcraft,
Ramsey

Missouri

Midwest Woodworking,
St. Louis

Standard Sheet Metal,
Kansas City

New Hampshire

Galaxy Glass & Alum.,
Manchester

New York

Ajay Glass & Mirror,
Manchester

Alubon, Ltd.,
Westbury

CBO Glass,
Buffalo

Gitzen Co., Inc.,
Liverpool

Krug's Glazing Services,
N. Tonawanda

Sam Sung Glass,
Jackson Heights

Ohio

Anderson Aluminum,
Columbus

Oklahoma

Johnson Controls,
Poteau

Madison Industries,
Tulsa

Ventaire Corp.,
Tulsa

Ontario

Riverside Group,
Windsor

Oregon

Frey-Moss Structures,
Silverton

Pennsylvania

Laminators, Inc.,
Hatfield

Tennessee

BHN Corporation,
Memphis

J. W. McDougall Co.,
Nashville

Premier Design & Fabr.,
Knoxville

Texas

Boler Equipment Services,
Midland

Cook & Hall
Everman

Lane Supply,
Arlington

LSI Graphic Solutions,
Houston

Theut Glass,
Columbus

Utah

Engineered Wall Systems,
West Jordan

Virginia

Mitsubishi,
Chesapeake

PK Contractors,
Lorton

Washington

Advanced Glazing,
Redmond

Bestworth Rommel,
Arlington

Fenpro, LP,
Seattle