



# Tips tricks

## Glue drawers efficiently



Would you like to glue drawers with 12-mm-thick panels, **without any need for clamps or presses?** It's possible with the Tenso P-14.

### How it works:



Cutting a profile groove into the side using an 18 depth setting



Cutting a profile groove into the front piece using a 10 depth setting



Inserting a half shell without a spring into the front piece



Inserting a half shell with a spring into the drawer sides

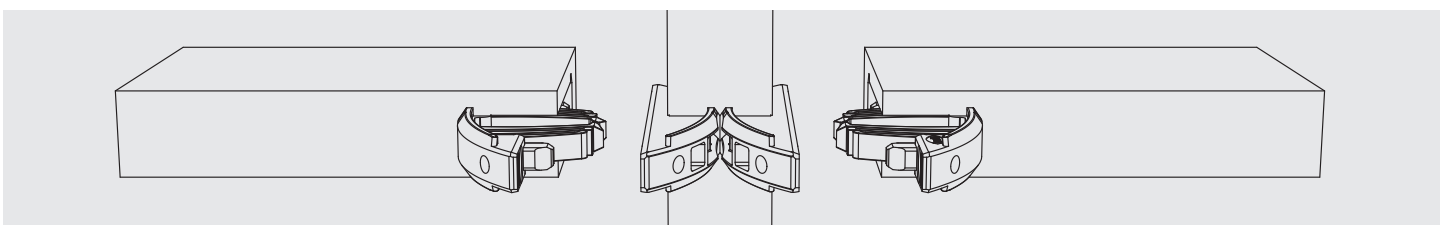


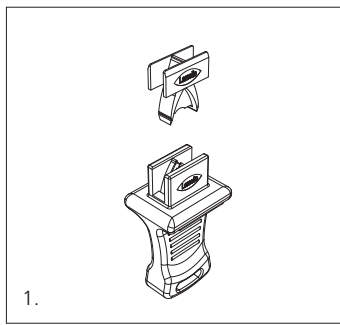
Applying glue



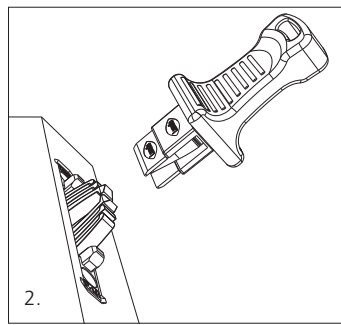
Joining the workpieces

### Additional use option from a material thickness of 19 mm

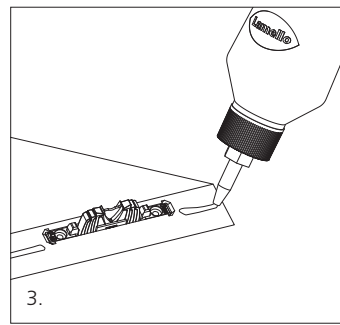




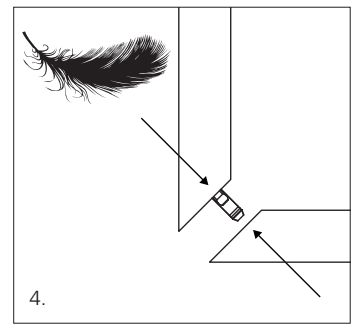
1. Insert preload clip into installation tool



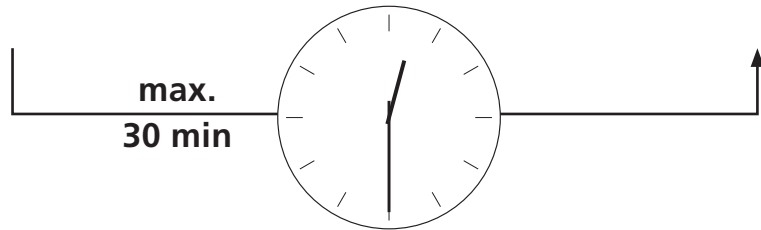
2. Preload the Tenso P-14



3. Apply glue



4. Assemble Work pieces



## Tenso P-14 with preload function

Self-clamping fitting as glueing aid, for all angles



Tenso P-14 with preload function	Art.No.
Carton with 80 pairs (without preload clip).....	145415
Carton with 300 pairs (without preload clip).....	145425
Carton with 1000 pairs (without preload clip).....	145435

Tenso P-14 Starter-Set	Art.No.
Carton with 80 pairs (with preload clip).....	145415S
Carton with 80 pairs (with preload clip).....	145425S

Preload clip	Art.No.
Carton with 300 pieces.....	145426
Carton with 1000 pieces.....	145436



## Aligning element suitable Bisco P-14

Bisco P-14 is ideal for dry-assembly before glueing a joint with Tenso P-14



Bisco P-14

Pieces	Art. No.
80	145301
300	145302
1000	145303



Manufacturer:  
**Lamello AG**  
 Joining technology  
 Hauptstrasse 149  
 CH-4416 Bubendorf  
 Tel. +41 61 935 36 36  
 Fax +41 61 935 36 06  
 info@lamello.com  
 www.lamello.com